

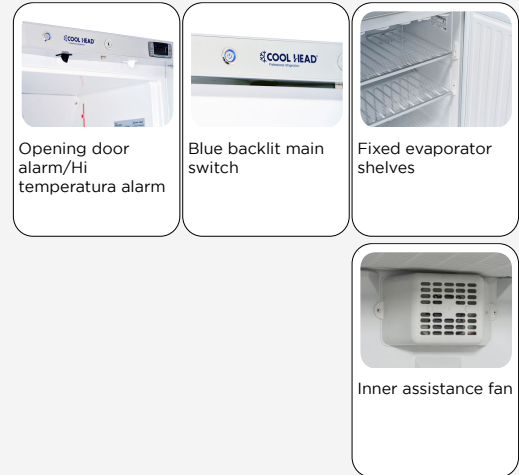
ABS | Upright Cabinets

FREEZER UPRIGHT | CLASS A | INOX

CNX 2



DETAILS



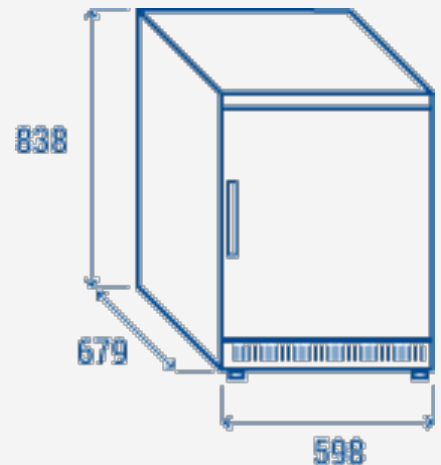
GENERAL FEATURES

- 200 Lt. Freezer upright (CLASS A)
- S/S external cabinet, thermoformed internally
- Static cooling: fixed evaporator shelves (N.2 Layers) with fan assisted cooling
- Manual Defrost
- Foaming Agent Cyclopentane (50mm per side)
- Digital Thermostat
- Opening door alarm/Hi temperatura alarm
- Removable Gasket
- Reversible door with stainless steel external handle
- Lock and main switch fitted as standard
- N.2 Adjustable feet + N.2 Rollers at the back
- Energy efficiency class: A

TECHNICAL SPECIFICATIONS

External Dimensions (WxDxH mm)	598x679x838
Internal Dimensions (WxDxH mm)	493x478x635
Noise level	40 dB(A)
Consumption	1.25 kWh/24h
Capacity	200 L
Rated Power	80 W
Net Weight	41 Kg
Temperature	-23°C ~ -18°C
Gross Weight	46 Kg
Packaging dimensions (WxDxH mm)	650x680x880
Loading quantities 20'/40'/40'HQ	48/108/162

PRODUCT DIMENSIONS



CERTIFICATION

