

DRINKS | Backbars

BACK BARS | HINGED DOORS

BBC 138



40 mm	K2	-1°C +6°C	D ENERGY CLASS	CC3	+40°C 75RH
					GAS R600a
					LED

DETAILS

Inner assistance fan	Inner LED light	Digital Thermostat
		Lock fitted as standard

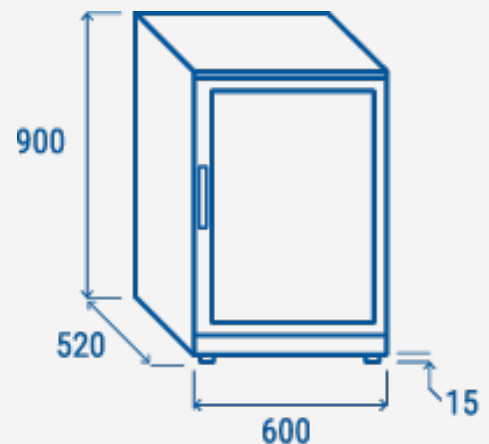
GENERAL FEATURES

- N.1 Hinged door BACK BAR (Height 900mm)
- Aluminium for internal and black coated steel for external side
- Item with shiny finishing and total height at 900mm
- Roll-bond evaporator system with fan assisted cooling
- Automatic compressor cycle defrost
- Foaming Agent Cyclopentane (40mm per side)
- Digital Thermostat
- Self Closing Door
- Removable Gasket
- Adjustable shelves: 2 Pcs
- Toughened safety tempered glass
- Lock fitted as standard
- Inner horizontal LED light
- N.4 Adjustable feet
- Energy efficiency class: D

TECHNICAL SPECIFICATIONS

External Dimensions (WxDxH mm)	600x520x900
Internal Dimensions (WxDxH mm)	520x420x750
Noise level	55 dB(A)
Consumption	1.393 kWh/24h
Capacity	133 L
Rated Power	180 W
Net Weight	44 Kg
Temperature	K2 (-1°C-+6°C)
Gross Weight	50.5 Kg
Packaging dimensions (WxDxH mm)	650x570x980
Loading quantities 20'/40'/40'HQ	70/144/144

PRODUCT DIMENSIONS



CERTIFICATION

CE RoHS