

WINE COOLER DUAL ZONE



Item: 233221
233245

You should read this user manual carefully before using the appliance.

Bevor Sie das Gerät in Betrieb nehmen, sollten Sie diese Gebrauchsanweisung aufmerksam lesen.

Alvorens de apparatuur in gebruik te nemen dient u deze gebruiksaanwijzing aandachtig te lezen.

Przed uruchomieniem urządzenia należy koniecznie dokładnie przeczytać niniejszą instrukcję obsługi.

Lisez attentivement ce mode d'emploi avant d'utiliser l'appareil .

Prima di utilizzare l'apparecchio in funzione leggere attentamente le istruzioni per l'uso.

Citiți cu atenție prezentul manual de utilizare înainte de folosirea aparatului.

Внимательно прочитайте руководство пользователя перед использованием прибора.

Πρέπει να διαβάσετε αυτές τις οδηγίες χρήσης προσεκτικά πριν χρησιμοποιήσετε τη συσκευή.



Keep these instructions with the appliance.
Diese Gebrauchsanweisung bitte beim Gerät aufbewahren.
Bewaar deze handleiding bij het apparaat.
Zachowaj instrukcję urządzenia
Gardez ces instructions avec cet appareil.
Conservate le istruzioni insieme all'apparecchio.
Păstrați manualul de utilizare alături de aparat.
Хранить руководство вместе с устройством.
Φυλάξτε αυτές τις οδηγίες μαζί με τη συσκευή.




For indoor use only.
Nur zur Verwendung im Innenbereich.
Alleen voor gebruik binnenshuis.
Do użytku wewnątrz pomieszczeń.
Pour l'usage à l'intérieur seulement.
Destinato solo all'uso domestico.
Doar pentru uz la interior.
Использовать только в помещениях.
Για χρήση μόνο σε εσωτερικό χώρο.



Dear Customer,

Thank you for purchasing this Arctic appliance. Before using the appliance for the first time, please read this manual carefully, paying particular attention to the safety regulations outlined below.

Safety regulations

- This appliance is intended for buffet and household use.
- The appliance must only be used for the purpose for which it was intended and designed. The manufacturer is not liable for any damage caused by incorrect operation and improper use.
- Keep the appliance and electrical plug away from water and any other liquids. In the event that the appliance should fall into water, immediately remove plug from the socket and do not use until the appliance has been checked by a certified technician. Failure to follow these instructions could cause a risk to lives.
- Never attempt to open the casing of the appliance yourself.
- Do not insert any objects in the casing of the appliance.
- Do not touch the plug with wet or damp hands.
-  **Danger of electric shock!** Do not attempt to repair the appliance yourself. In case of malfunctions, repairs are to be conducted by qualified personnel only.
- **Never use a damaged appliance!** Disconnect the appliance from the electrical outlet and contact the retailer if it is damaged.
- **Warning!** Do not immerse the electrical parts of the appliance in water or other liquids. Never hold the appliance under running water.
- Regularly check the power plug and cord for any damage. If the power plug or power cord is damaged, it must be replaced by a service agent or similarly qualified persons in order to avoid danger or injury.
- Make sure the cord does not come in contact with sharp or hot objects and keep it away from open fire. To pull the plug out of the socket, always pull on the plug and not on the cord.
- Ensure that the cord (or extension cord) is positioned so that it will not cause a trip hazard.
- Always keep an eye on the appliance when in use.
- **Warning!** As long as the plug is in the socket the appliance is connected to the power source.
- Turn off the appliance before pulling the plug out of the socket.
- Never carry the appliance by the cord.
- Do not use any extra devices that are not supplied along with the appliance.
- Only connect the appliance to an electrical outlet with the voltage and frequency mentioned on the appliance label.
- Connect the power plug to an easily accessible electrical outlet so that in case of emergency the appliance can be unplugged immediately. To completely switch off the appliance pull the power plug out of the electrical outlet.
- Always turn the appliance off before disconnecting the plug.

EN

- Never use accessories other than those recommended by the manufacturer. Failure to do so could pose a safety risk to the user and could damage the appliance. Only use original parts and accessories.
- This appliance is not intended for use by persons (including children) with reduced physical, sensory or mental capabilities, or lack of experience and knowledge.
- This appliance must not be used by children under any circumstances.
- Keep the appliance and its cord out of reach of children.
- Always disconnect the appliance from the mains if it is left unattended or is not in use, and before assembly, disassembly or cleaning.
- Never leave the appliance unattended during use.

Special safety regulations

- Use the appliance only as described in this manual.



Caution! Risk of fire! The refrigerant used is R600a. It is a flammable natural gas which is environmentally friendly. It does not damage the ozone layer and does not increase the greenhouse effect. The use of this coolant has, however, led to a slight increase in the noise level of the appliance. In addition to the noise of the compressor, you might be able to hear the coolant flowing around the system. This is unavoidable and does not have any adverse effect on the performance of the appliance. Care must be taken during transportation and setting up of the appliance that no parts of the cooling system are damaged. Leakage coolant can damage the eyes.

- The foam blowing agent used is Cyclopentane in this appliance. It is highly flammable.
- This appliance is suitable for an ambient temperature from 16°C ~ 38°C.
- Do not place the appliance on a heating object (gasoline, electric, charcoal cooker, etc.) Keep the appliance away from any hot surfaces and open flames. Always operate and place the appliance on a horizontal, stable, clean, heat-resistant and dry surface.
- Do not use the appliance near explosive or flammable materials, credit cards, magnetic discs or radios.
- This appliance is not intended to be operated by means of an external timer or separate remote-control system.
- **WARNING:** Keep all ventilation openings in the appliance enclosure clear of obstruction.
- **WARNING:** Do not use mechanical devices or other means to accelerate the defrosting process, other than those recommended by the manufacturer.
- **WARNING:** Do not damage the refrigerant circuit.
- Allow at least 10 cm spacing around the appliance for ventilation purpose during use.
- Do not use a water jet, flush directly with water or steam cleaner as the parts will get wet and electric shock might be resulted.
- **Caution!** Securely route the power cord if necessary in order to prevent unintentional pulling or contact with the heating surface.
- Do not clean or store the appliance unless it is completely cooled down.
- Keep the key of the door out of the reach of the children.

- The appliance should not be tipped over an angle of 5°. After installing the appliance, wait for 2 hours before connecting it to the electrical power supply to switch on. The same applies if the appliance is moved at a later date.

Intended use

- This appliance is intended for buffet and household use.
- The appliance is designed only for wine storage and cooling. (e.g. Champagne, white wine, red wine, etc.). Any other use may lead to damage to the appliance or personal injury.
- Operating the appliance for any other purpose may be deemed as a misuse of the device. The user shall be solely liable for the improper use of the device.

Grounding installation

This appliance is classified as protection class I appliance and must be connected to a protective ground. Grounding reduces the risk of electric shock by providing an escape wire for the electric

current. This appliance is equipped with a cord having a grounding wire with a grounding plug. The plug must be plugged into an outlet that is properly installed and grounded.

Main components of the machine

1. Housing enclosure
2. Touch control panel (See ==> Operation)
3. Upper hinge cover
4. Door frame
5. Wooden shelves (5 shelves for item 233221; 14 shelves for item 233245)
6. Lower hinge cover
7. Ventilation holes
8. Key hole for door locking
9. Door handle
10. Anti-tipping mounting kit: 2x bracket, 2x screws, 4x metal spacer.



EN

Installation instructions

- Remove the appliance from the carton box, then remove the external and internal packaging and wrapping.
- Check to make sure the appliance is undamaged. In case of incomplete delivery and damages, DO NOT use the appliance. Please contact supplier (See == > Warranty).
- Let the appliance stand upright for about 2 hours. This is to reduce the malfunction of the cooling system from improper handling during transportation.
- Clean interior surface with warm water and soft cloth. (See == > Cleaning and Maintenance).
- Place the appliance on a horizontal, stable and heat resist surface that is safe against water splashes.
- Optimum working ambient temperature is between 16°C and 32°C. Otherwise, the functionality will be limited.
- Ensure that there is sufficient ventilation. Keep a minimum distance of 10cm around the appliance. Do not block the ventilation holes.
- For energy savings, always make sure the door is closed.

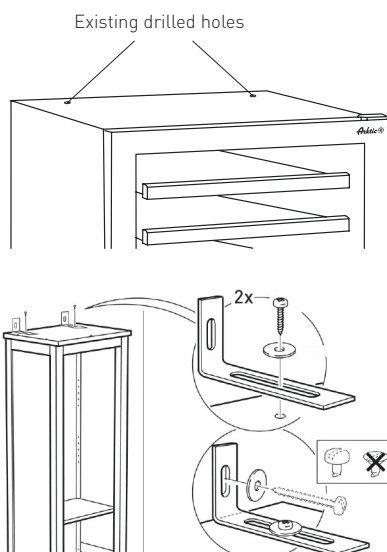
Anti-tipping brackets installation (For 233245 only)

NOTE: Please use corresponding crosshead screwdriver for installation.

Before installation: Check the brackets for any damage & the completeness of all installation kits. DO NOT install if any missing or damage.

WARNING: Accidents can occur as a result of the wine cooler overturning. To prevent this cooler from tipping over, it must be fixed to the wall with the accompanying brackets. See illustration for installation details.

Wall fasteners are not included, as different wall materials require different types of fasteners. Use fastening materials that work with your walls. For advice on suitable fasteners, contact your local specialist dealer.



Operation

The appliance is divided into 2 separate zones. The "UPPER ZONE" and "LOWER ZONE" of the appliance are controlled independently with the use of the control panel (2).



Temperature control and display

- Plug into a suitable electrical outlet, "888" will be blinked for few seconds and beep sound will be heard for the default factory setting.
- Then, temperature of the upper zone and lower zone will be shown on the display (U2/L2).
- Next, set the temperature in either zone by pressing the "+" or "-" key of button (U1/L1) [Range: 41°F (5°C) to 68°F(20°C)]. The zone temperature has a tolerance of + / - 5°F (+/- 3°C) from setting depending on number of stored bottles & ambient temperature conditions.

Switch ON/OFF

- Press and hold S1 button for 3 to 4 seconds to switch ON / OFF the appliance.
- After switch OFF the appliance, both displays (U2 and L2) will become dark.

Interior lighting

- Press either U3 or L3 button to turn ON the light of UPPER ZONE or LOWER ZONE of the appliance correspondingly.

- Press again the U3 or L3 button to turn OFF the light of UPPER ZONE or LOWER ZONE.
- The interior light will keep on lighting if it is not pressed to turn OFF.

Temperature unit conversion

- The temperature display can be changed between Celsius (°C) and Fahrenheit (°F) by pressing the button (T1).

Key Lock mode

- If no button is touch within 15 seconds, then the appliance will enter into "Key Lock" mode. Under the "Key Lock" mode, the button has no response unless you cancel the "Key Lock" mode.
- To cancel the "Key Lock" mode, press & hold the U1 button (Press both "+" and "-" keys at the same time for few seconds). Then, the "Key Lock" mode will then be cancelled.

Note: The door of the appliance can be locked at the bottom (8) by the keys (Supplied)

Error codes display

Error codes shown on the display (U2/L2)	Possible causes	Possible solutions
"E0" is flashed	Connection failure, wire or component is not connected securely.	Contact the supplier.
"E1" is flashed	The temperature sensor is failure in corresponding	Contact the supplier.
"E2" is flashed	The defrost sensor is failure in corresponding zone	Contact the supplier.

Optimal Wine Serving Temperature

Temperature	Type of wine	Wine Category
18°C (65°F)	Rich, Intense, Oaky, Pepper	Bordeaux, Cabernet Sauvignon, Shiraz
17°C (63°F)	Reds	Barolo, Burgundy Grand Cru
16°C (61°F)	Medium To Lighter Bodier Reds	Rioja, Pinot Noir, CDP
15°C (59°F)		Chianti, Zinfandel
14°C (57°F)		Chinon, Port, Madeira
13°C (55°F)		Dolcetto, Cotes Du Rhone
12°C (54°F)	Juicy, Fruity Reds	Beaujolais, Valpolicella
11°C (52°F)	Full-bodied/oaked whites	White Burgundy
10°C (50°F)	Medium To Lighter Bodied	Chardonnay, Sauternes
9°C (48°F)	Whites	Sauvignon Blanc, Chablis
8°C (47°F)	Sweet And Sparking Wines	Vintage Champagnes
7°C (45°F)		
6°C (43°F)		Champagne NV, Prosecco, Cava, Asti

Remark: Above table is just for reference only.

Cleaning and Maintenance

Attention: Always unplug the appliance from the electrical power outlet and let it cool down completely before cleaning & storage.

Cleaning

- Clean the appliance before and after each use.
- Never immerse the appliance in water or other liquids.
- Do not clean the appliance with a water jet.
- Clean the surface with a slightly damp cloth or sponge with some mild soap solution
- All washed parts should be rinsed with clean water to remove the cleaning residues.
- Never use abrasive sponges or detergents, steel wool or metallic utensils to clean the interior or exterior parts of the appliance.
- Dry the interior and exterior surface with a soft cloth.

Storage

- Before storage, always make sure the appliance has already been disconnected from the electrical outlet and cooled down completely.
- Store the appliance in a cool, clean and dry place.

Transportation

- Unplug the appliance from the electrical outlet.
- Remove all the wine bottles inside the appliance.
- Securely tape all loose items inside the appliance.
- Lock the door.
- At least 2 people for assisting transportation.

Troubleshooting

If the appliance does not function properly, please check the below table for the solution. If you are still unable to solve the problem, please contact the supplier/service provider.

Problems	Possible causes	Possible solutions
The appliance is connected to the power supply but does not function.	Power plug is not connected properly to the electrical power supply outlet.	Check again to make sure it is connected properly.
	The circuit breaker has tripped or there is a blown fuse.	Contact the supplier.
Temperature inside the appliance is too warm	Temperature is set too warm	Turn to a cooler setting.
	Door is kept open too long.	Open door less.
	The door gasket does not seal properly	Check to make sure the door gasket seal properly.
Moisture forms on the inside appliance walls.	Door is kept on for too long.	Open the door less.

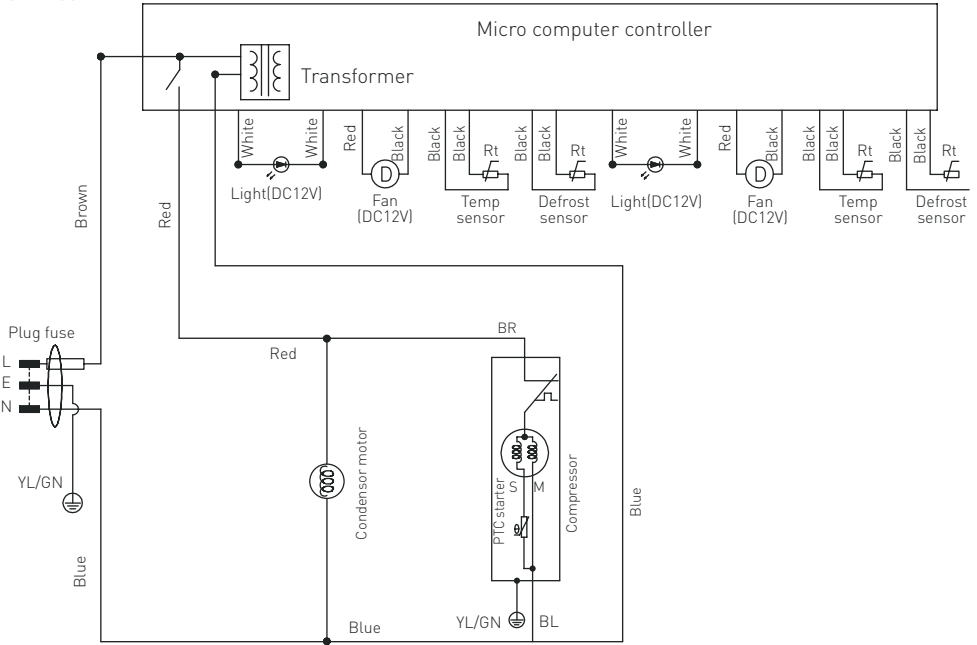
Technical specification

Item no.	233221	233245
Operating voltage and frequency	220-240V~ 50Hz	
Rated input power	45W	120W
Rated current	0,5 A	1,0 A
Setting temperature range	5°C to 20°C	
Protection class	Class I	
Power of the illumination light	4W	
Noise level	< 60 dB (A)	
Refrigerant used and injection quantity	R600a / 30g	R600a / 55g
Energy efficiency class	G	
Foam blowing agent	Cyclopentane	
Climate class	N-ST (16°C to 38°C)	
No. of temperature zones	2	
Volume capacity	144L	424L
Storage bottle capacity	43 ~ 44 bottles	165 ~ 166 bottles
No. of shelves	5	14
Net weight (approx.)	55 kg	106 kg
Dimension	596 x 654 x (H) 855 mm	595 x 720 x (H) 1820 mm

Remark: Technical specification is subjected to change without prior notification.

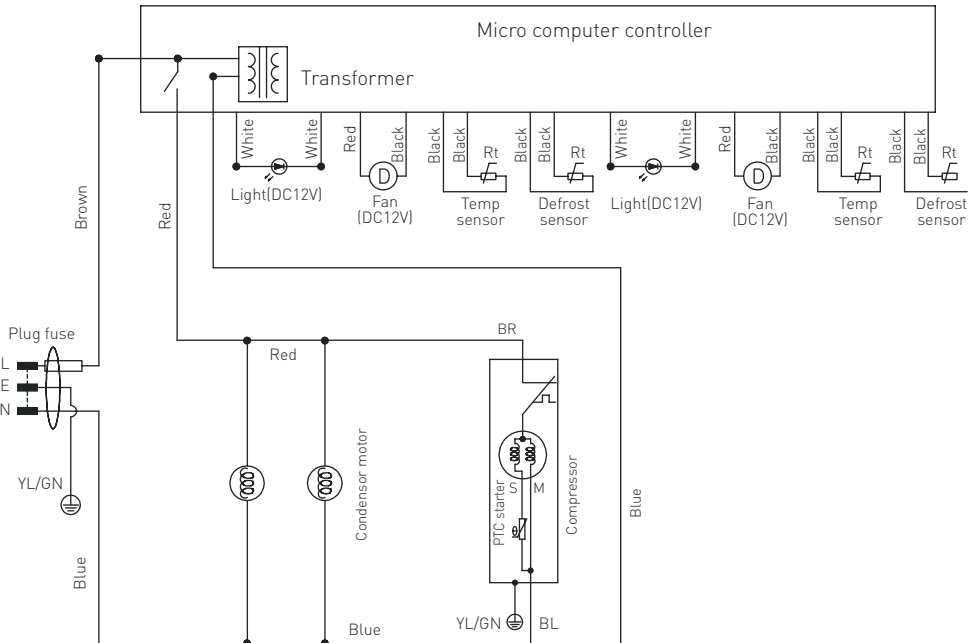
Circuit diagram

Item: 233221



EN

Item: 233245



Warranty

Any defect affecting the functionality of the appliance which becomes apparent within one year after purchase will be repaired by free repair or replacement provided the appliance has been used and maintained in accordance with the instructions and has not been abused or misused in any way. Your statutory rights are not affected. If the appliance is claimed under warranty, state where and

when it was purchased and include proof of purchase (e.g. receipt).

In line with our policy of continuous product development we reserve the right to change the product, packaging and documentation specifications without notice.

Discarding & Environment

When decommissioning the appliance, the product must not be disposed of with other household waste. Instead, it is your responsibility to dispose of your waste equipment by handing it over to a designated collection point. Failure to follow this rule may be penalized in accordance with applicable regulations on waste disposal. The separate collection and recycling of your waste equipment at the time of disposal will help conserve natural re-

sources and ensure that it is recycled in a manner that protects human health and the environment. For more information about where you can drop off your waste for recycling, please contact your local waste collection company. The manufacturers and importers do not take responsibility for recycling, treatment and ecological disposal, either directly or through a public system.

Sehr geehrte Kundin, sehr geehrter Kunde,


wir danken Ihnen für den Kauf des Gerätes Arctic. Machen Sie sich bitte mit dieser Anleitung noch vor der Inbetriebnahme des Gerätes vertraut, um Schäden durch die unsachgemäße Bedienung zu vermeiden. Den Sicherheitsregeln ist besondere Aufmerksamkeit zu widmen.

Sicherheitsregeln

- Dieses Gerät ist für den Buffet- und Haushaltsgebrauch bestimmt.
- Das Gerät ist ausschließlich zu dem Zweck zu benutzen, zu dem es hergestellt wurde. Der Hersteller haftet nicht für Schäden, die auf unsachgemäße Bedienung des Geräts zurückzuführen sind.
- Den Kontakt des Gerätes und des Steckers mit Wasser oder einer anderen Flüssigkeit vermeiden. Den Stecker unverzüglich aus dem Stecker ziehen und das Gerät von einem anerkannten Fachmann prüfen lassen, wenn das Gerät unbeabsichtigterweise ins Wasser fällt. Bei Nichteinhaltung dieser Sicherheitsvorschriften besteht Lebensgefahr.
- Nie eigenständig das Gehäuse des Gerätes zu öffnen versuchen.
- In das Gehäuse des Gerätes keine Gegenstände einführen.
- Den Stecker nicht mit nassen oder feuchten Händen berühren.
- ⚡ **Gefahr eines Stromschlags!** Das Gerät darf nicht selbstständig repariert werden. Sämtliche Mängel und Unzulänglichkeiten sind ausschließlich durch qualifiziertes Personal zu beseitigen.
- **Niemals ein beschädigtes Gerät benutzen!** Das beschädigte Gerät vom Netz trennen und sich mit dem Verkäufer in Verbindung setzen.
- **Warnung:** Die Elektroteile des Gerätes dürfen weder in Wasser noch in andere Flüssigkeiten getaucht werden. Ebenso ist das Gerät nicht unter fließendes Wasser zu halten.
- Der Stecker und die Stromversorgungsleitung sind regelmäßig auf Beschädigungen zu prüfen. Der beschädigte Stecker oder Leitung sind an eine Servicestelle oder einer anderen qualifizierten Person zur Reparatur zu übergeben, um eventuellen Gefahren und Verletzungen des Körpers vorzubeugen.
- Man muss sich davon überzeugen, ob die Stromversorgungsleitung weder mit scharfkantigen noch mit heißen Gegenständen in Berührung kommt; halten Sie die Leitung weit entfernt von einer offenen Flamme. Um den Stecker aus der Netzsteckdose zu nehmen, muss man immer am Stecker und nicht an der Leitung ziehen.
- Die Stromversorgungsleitung (oder Verlängerungsleitung) ist vor dem zufälligen Herausziehen aus der Steckdose zu schützen. Die Stromversorgungsleitung muss so geführt werden, dass niemand zufällig darüber stolpern kann.
- Das Gerät muss während seiner Anwendung ständig kontrolliert werden.
- **Warnung!** Wenn der Stecker in der Netzsteckdose ist, muss man das Gerät als an die Stromversorgung angeschlossen betrachten.
- Bevor der Stecker aus der Netzsteckdose genommen wird, ist das Gerät auszuschalten.
- Das Gerät darf beim Tragen nicht an der Leitung gehalten werden.
- Benutzen Sie kein Zubehör, das nicht mit diesem Gerät mitgeliefert wurde.

- Das Gerät muss man ausschließlich an die Steckdose mit solch einer Spannung und Frequenz anschließen, wie auf dem Typenschild angegeben wird.
- Stecken Sie den Stecker in die Steckdose, die an einem leicht und bequem zugänglichen Ort angeordnet ist, und zwar so, dass das Gerät bei einer Störung sofort abgeschaltet werden kann. Um das Gerät vollständig auszuschalten, muss man es von der Stromquelle trennen. Zu diesem Zweck muss man den Stecker, der sich am Ende der vom Gerät getrennten Leitung befindet, aus der Netzsteckdose ziehen.
- Vor dem Abtrennen des Steckers ist das Gerät auszuschalten!
- Benutzen Sie kein Zubehör, das nicht vom Hersteller empfohlen wird. Die Anwendung vom nicht empfohlenen Zubehör stellt eine Gefahr für den Nutzer dar und kann zur Beschädigung des Gerätes führen. Benutzen Sie ausschließlich Ersatzteile und Zubehör im Original.
- Dieses Gerät eignet sich nicht für den Gebrauch durch Personen (gilt auch für Kinder) mit geringerer Motorik, Sensorik oder geistiger Fähigkeit oder mangelhafter Erfahrung und Wissen.
- Auf keinen Fall darf das Bedienen des Gerätes durch Kinder zugelassen werden.
- Das Gerät mit Stromversorgungsleitung ist außerhalb der Reichweite von Kindern zu lagern.
- Ebenso muss dafür gesorgt werden, dass die Kinder das Gerät nicht zum Spielen benutzen.
- Das Gerät ist immer dann von der Stromversorgung zu trennen, wenn es ohne Aufsicht bleiben soll bzw. auch vor der Montage, Demontage und Reinigung.
- Während der Nutzung darf das Gerät nicht ohne Aufsicht gelassen werden.

Besondere Sicherheitsvorschriften

- Verwenden Sie das Gerät ausschließlich gemäß der vorliegenden Anweisung.
-  **Achtung! Es besteht Feuergefahr!** Im Gerät wird R600a als Kältemittel verwendet. Es ist ein umweltfreundliches, leicht brennbares Erdgas. Es ist unschädlich für die Ozonschicht und hat keinen Einfluss auf den Treibhauseffekt. Der Einsatz dieses Kältemittels führt jedoch zu einem leichten Anstieg des Lärmpegels des Gerätes. Neben dem Lärm des Verdichters kann der Benutzer das Geräusch hören, das durch den Kältemittelstrom verursacht wird. Dieses Phänomen lässt sich nicht vermeiden und hat keine negativen Auswirkungen auf den Betrieb des Gerätes. Bei Transport und Aufstellung des Gerätes ist besonders darauf zu achten, dass keine Teile der Kälteanlage beschädigt werden. Auslaufendes Kältemittel kann zu Augenschäden führen.
- Das in diesem Gerät verwendete Schaumtreibmittel ist Cyclopentan. Es ist leicht entzündlich.
- Die Umgebungstemperatur am Betriebsort des Gerätes sollte von 16 °C bis 38 °C betragen.
- Stellen Sie das Gerät nicht auf einen wärmemittehenden Gegenstand (Gasherd, Elektroherd, Grill, usw.). Lagern Sie es weit entfernt von heißen Flächen oder offenem

Feuer. Bedienen Sie das Gerät auf einer ebenen, stabilen, sauberen und trockenen Fläche, die auch gegen die Einwirkung hoher Temperaturen beständig ist.

- Das Gerät darf auch in der Nähe von explosiven oder leicht brennbaren Materialien, Geldkarten, Magnetplatten oder Rundfunkempfängern nicht verwendet werden.
- Das Gerät ist für die Bedienung durch einen externen Timer oder ein gesondertes Fernsteuersystem nicht geeignet.
- **WARNUNG:** Verdecken Sie nicht die Belüftungsöffnungen im Gehäuse des Gerätes.
- **WARNUNG:** Verwenden Sie zwecks Beschleunigung des Abtauvorgangs weder mechanische Geräte noch andere Werkzeuge als vom Hersteller empfohlen.
- **WARNUNG:** Der Umlauf des Kältemittels darf nicht beschädigt werden.
- Belassen Sie einen Freiraum von mindestens 10 cm rundum das Gerät, um eine richtige Belüftung zu gewährleisten.
- Reinigen Sie das Gerät weder mit einem Wasserstrahl unter Druck noch mit einem Dampfreiniger, spülen Sie das Gerät nicht mit Wasser ab, da die Teile im Gerät feucht werden oder eingetaucht werden können, was den Stromschlag verursacht.
- **Achtung!** Führen und sichern Sie entsprechend das Stromkabel, um ein unbeabsichtigtes Ziehen oder Berühren der erhitzten Oberfläche zu vermeiden.
- Reinigen und stellen Sie das Gerät nicht am Lagerort ab, bis es nicht völlig abgekühlt ist.
- Bewahren Sie den Türschlüssel außerhalb der Reichweite von Kindern.
- Das Gerät darf mit keinem größeren Winkel als 5° geneigt stehen. Nach durchgeführter Montage des Gerätes muss man vor seinem Anschluss an die Stromversorgung und Inbetriebnahme 2 Stunden abwarten. Die obige Empfehlung betrifft auch die Situation, wenn das Gerät zu einem späteren Termin an einen anderen Platz gestellt wird.

Verwendungszweck des Gerätes

- Dieses Gerät ist für den Buffet- und Haushaltsgebrauch bestimmt.
- Das Gerät ist ausschließlich für die Aufbewahrung und Kühlung von Wein (z.B. Champagner, Weiß- und Rotwein, etc.) bestimmt. Die Verwendung des Gerätes für andere Zwecke kann zu seiner Beschädigung sowie zu Körperverletzungen führen.
- Jede andere Verwendung des Gerätes gilt als nicht bestimmungsgemäß. Der Benutzer ist allein verantwortlich für die unsachgemäße Nutzung des Gerätes.

Montage der Erdung

Der Dispenser ist ein Gerät der I. Schutzklasse und bedarf der Erdung. Die Erdung verringert das Risiko des elektrischen Schlages durch Anwendung einer Ableitung des elektrischen Stromes. Das

Gerät ist mit einer Erdungsleitung mit Erdungsstecker ausgestattet. Stecken Sie den Stecker nicht in die Steckdose, wenn das Gerät nicht entsprechend installiert und geerdet wurde.

Hauptteile des Gerätes

1. Gehäuse
2. Touch-Bedienfeld (siehe ==> Betrieb).
3. Abdeckung des oberen Scharniers
4. Türrahmen
5. Holzfächer (5 Fächer für Modell 233221, 14 für Modell 233245)
6. Abdeckung des unteren Scharniers
7. Lüftungsöffnungen
8. Schlüsselloch zum Schließen der Tür des Gerätes
9. Türgriff
10. Kippschutz-Montagesatz: 2x Winkel, 2x Schrauben, 4x Metallabstandshalter.



Installationshinweise

- Nehmen Sie das Gerät aus dem Karton heraus, entfernen Sie die Innen- und Außenverpackung sowie die Sicherungen.
- Überprüfen Sie es, ob das Gerät nicht beschädigt ist. Bei einer unvollständigen Anlieferung oder Beschädigungen darf das Gerät nicht benutzt werden. Setzen Sie sich mit dem Lieferanten in Verbindung (siehe == > Garantie).
- Lassen Sie das Gerät ca. 2 Stunden vertikal stehen. Damit soll der Spielraum für Fehlfunktionen des Kühlsystems bei unsachgemäßer Handhabung während des Transports reduziert werden.
- Waschen Sie die Außenflächen mit einem weichen, in warmes Wasser getauchten Tuch. (siehe ==> Reinigung und Wartung).
- Stellen Sie das Gerät auf eine horizontale, stabile Fläche auf, die auch gegen die Einwirkung hoher Temperaturen und gegen Spritzer von Wasser beständig ist.
- Die Umgebungstemperatur am Betriebsort des Gerätes sollte von 16 °C bis 32 °C betragen. Andernfalls kann das Gerät nicht richtig funktionieren.
- Sorgen Sie für eine ausreichende Belüftung. Belassen Sie einen Freiraum von mindestens 10 cm rundum das Gerät. Blockieren Sie nicht die Lüftungsöffnungen.
- Um Energie zu sparen, achten Sie immer darauf, dass die Tür geschlossen ist.

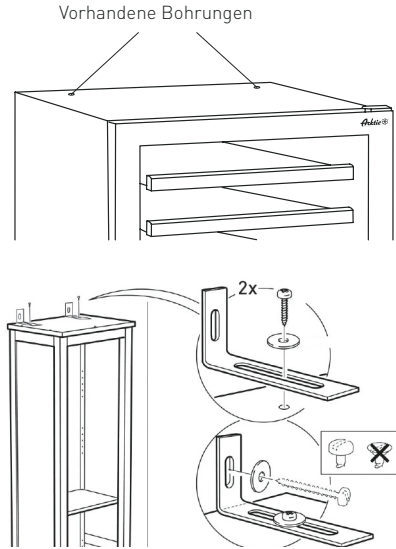
Montage der Kippschutzwinkel (ausschließlich Modell 233245)

HINWEIS: Bitte verwenden Sie zur Montage einen entsprechenden Kreuzschlitzschraubendreher.

Vor der Installation: Überprüfen Sie die Wandhalterung auf Beschädigung und Vollständigkeit der Montagesets. NICHT installieren, falls etwas fehlt oder beschädigt ist.

WARNUNG: Das Umkippen des Weinkühlers kann Unfälle verursachen. Um ein Umkippen dieses Kühlers zu verhindern, muss er mit den beiliegenden Winkeln an der Wand befestigt werden. Siehe Abbildung für Installationsdetails.

Wandbefestigungselemente sind nicht im Lieferumfang enthalten, da unterschiedliche Wandmaterialien unterschiedliche Arten von Befestigungselementen erfordern. Verwenden Sie die zu Ihren Wänden passenden Befestigungsmaterialien. Wenden Sie sich für eine Beratung über geeignete Befestigungselemente an Ihren Fachhändler vor Ort.



DE

Betrieb

Das Gerät besteht aus zwei getrennten Zonen. Die Steuerung der „OBEREN ZONE“ und „UNTEREN ZONE“ des Gerätes erfolgt separat über das Bedienfeld (2).



Temperurregelung und Display

- Schließen Sie den Stecker an die entsprechende Elektrosteckdose an; im Display blinkt die Mitteilung „888“ für einige Sekunden und dazu breitet sich ein Signalton aus - das Gerät wird gemäß den Werkseinstellungen betrieben.
- Anschließend wird im Display die Temperatur der oberen und unteren Zone (U2/L2) angezeigt.
- Stellen Sie die Temperatur für jede Zone mit den Tastern „+“ oder „-“ (U1/L1) [Bereich: 39 °F (4 °C) bis zu 68 °F (20 °C)]. Die Temperatur der jeweiligen Zone kann je nach Anzahl der gelagerten Flaschen und Umgebungstemperatur um +/- 5 °F (+/- 3 °C) von der eingestellten Temperatur abweichen.

EIN-/AUS-Schalter

- Um das Gerät ein- oder auszuschalten, drücken und halten Sie die Taste S1 für 3-4 Sekunden gedrückt.
- Nach dem Ausschalten des Gerätes, erlöschen beide Anzeigen (U2 und L2).

Interne Beleuchtung

- Drücken Sie die Taste U3 oder L3, um das Licht in der OBEREN oder UNTEREN ZONE einzuschalten.
- Drücken Sie erneut die Taste U3 oder L3, um das Licht in der OBEREN oder UNTEREN ZONE auszuschalten.
- Die Innenbeleuchtung erlischt nicht, wenn sie nicht manuell ausgeschaltet wird.

Änderung der Temperatureinheit

- Die Temperatureinheit kann mit der Taste (T1) von Grad Celsius (°C) auf Grad Fahrenheit (°F) und umgekehrt geändert werden.

Sperrmodus

- Wenn 15 Sekunden lang keine Taste gedrückt wird, startet das Gerät automatisch den Modus der „Sperr“. In diesem Modus können Sie die Geräteeinstellungen erst ändern, wenn Sie die Sperre deaktivieren.

- Um den Sperrmodus auszuschalten, drücken und halten Sie die Taste U1 gedrückt (drücken und halten Sie die Tasten „+“ und „-“ gleichzeitig einige Sekunden lang gedrückt). Der Sperrmodus wird ausgeschaltet.

Hinweis: Die Tür kann mit einem Schlüssel verriegelt werden (das Schlüsselloch befindet sich an der Unterseite des Gerätes – (8)) (der Schlüssel ist mitgeliefert).

Angezeigte Fehlercodes

Fehlercodes – sichtbar im Display (U2/L2).	Mögliche Ursache	Lösungsvorschlag
Die Mitteilung „E0“ blinkt.	Verbindungsfehler, Kabel oder Teil des Gerätes falsch angeschlossen	Setzen Sie sich mit dem Lieferanten in Verbindung.
Die Mitteilung „E1“ blinkt.	Fehlfunktion des Temperatursensors in der entsprechenden Zone	Setzen Sie sich mit dem Lieferanten in Verbindung.
Die Mitteilung „E2“ blinkt.	Fehlfunktion des Abtausensors in der entsprechenden Zone	Setzen Sie sich mit dem Lieferanten in Verbindung.

Optimale Trinktemperatur für Wein

Temperatur	Weinarten	Weinsorten
18°C (65°F)	Wein mit reichem, kräftigen, Eichen-, Pfeffergeschmack	Bordeaux, Cabernet Sauvignon, Shiraz
17°C (63°F)	Rotwein	Barolo, Burgundy Grand Cru
16°C (61°F)	Rotweine mit mittlerer oder leichter Struktur	Rioja, Pinot Noir, CDP
15°C (59°F)		Chianti, Zinfandel
14°C (57°F)		Chinon, Port, Madeira
13°C (55°F)		Dolcetto, Cotes Du Rhone
12°C (54°F)	Saftige und fruchtige Rotweine	Beaujolais, Valpolicella
11°C (52°F)	Weißweine mit starker Struktur/Eichenweine	Weißer Burgunder
10°C (50°F)	Weine mit mittlerer oder leichter Struktur	Chardonnay, Sauternes
9°C (48°F)	Weißweine	Sauvignon Blanc, Chablis
8°C (47°F)	Süß- und Schaumweine	Vintage Champagner
7°C (45°F)		
6°C (43°F)		Champagne NV, Prosecco, Cava, Asti

Achtung: Die obigen Daten dienen lediglich Informationszwecken.

Reinigung und Wartung

Hinweis: Vor dem Reinigen und Abstellen des Geräts am Lagerort, ist das Gerät immer von der Netzsteckdose zu trennen und dazu muss man abwarten, bis es abgekühlt ist.

Reinigung

- Reinigen Sie das Gerät vor und nach jedem Gebrauch.
- Tauchen Sie das Gerät nie in Wasser und andere Flüssigkeiten ein.
- Reinigen Sie das Gerät nicht mit einem Wasserstrahl.
- Reinigen Sie das Gehäuse mit einem feuchten Tuch oder Schwamm mit einer geringen Menge eines milden Reinigungsmittels.
- Waschen Sie alle Teile des Gerätes mit Wasser, um die Reste des Reinigungsmittels zu entfernen.
- Verwenden Sie weder Schleifschwämme, Reinigungsmittel, Stahlwolle noch Metallwerkzeuge zum Reinigen der inneren oder äußeren Teile des Gerätes.
- Wischen Sie die inneren oder äußeren Oberflächen des Gerätes sofort nach seinem Waschen mit einem weichen Tuch ab.

Lagerung

- Bevor das Gerät am Lagerort abgestellt wird, muss man sich sicherstellen, dass das Gerät von der Netzsteckdose getrennt wurde und völlig abgekühlt ist.
- Das Gerät ist an einem kühlen, sauberen und trockenen Ort zu lagern.

Transport

- Trennen Sie das Gerät von der Stromquelle, indem Sie den Stecker aus der Steckdose ziehen.
- Nehmen Sie alle Weinflaschen aus dem Gerät heraus.
- Sichern Sie alle nicht befestigten Teile im Inneren des Gerätes mit einem Band.
- Schließen Sie die Tür.
- Das Gerät sollte mindestens 2 Personen tragen.

DE

Fehlerbehebung

Sollte das Gerät nicht ordnungsgemäß funktionieren, überprüfen Sie bitte die nachfolgende Tabelle für eine Lösung. Sollten Sie das Problem noch immer nicht lösen können, wenden Sie sich bitte an den Lieferanten/Dienstanbieter.

Problem	Mögliche Ursache	Lösungsvorschlag
Das Gerät ist an eine Stromquelle angeschlossen, startet aber nicht.	Der Stecker ist nicht richtig an die Stromquelle angeschlossen.	Prüfen Sie, ob der Stecker richtig an die Stromquelle angeschlossen ist
	Der Überlastungsschutzschalter wurde aktiviert oder die Sicherung ist durchgebrannt.	Setzen Sie sich mit dem Lieferanten in Verbindung.
Die Innentemperatur ist zu hoch.	Die eingestellte Temperatur ist zu hoch.	Stellen Sie eine niedrigere Temperatur ein.
	Die Tür war zu lange offen.	Beschränken Sie das Öffnen der Tür.
	Die Türdichtung funktioniert nicht richtig.	Achten Sie darauf, dass die Dichtung garantiert, dass die Tür richtig geschlossen ist.
An den Innenwänden des Gerätes sammelt sich Feuchtigkeit.	Die Tür war zu lange offen.	Beschränken Sie das Öffnen der Tür.

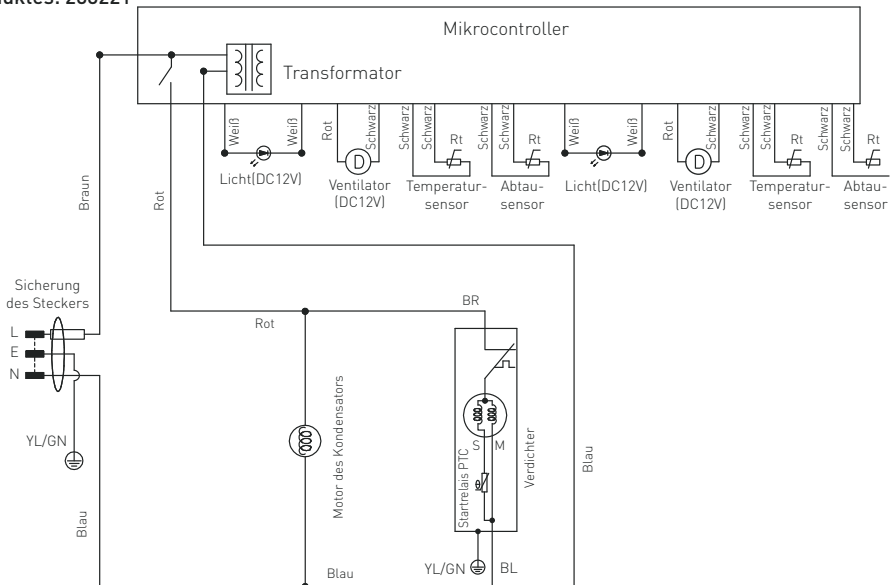
Technische Spezifikation

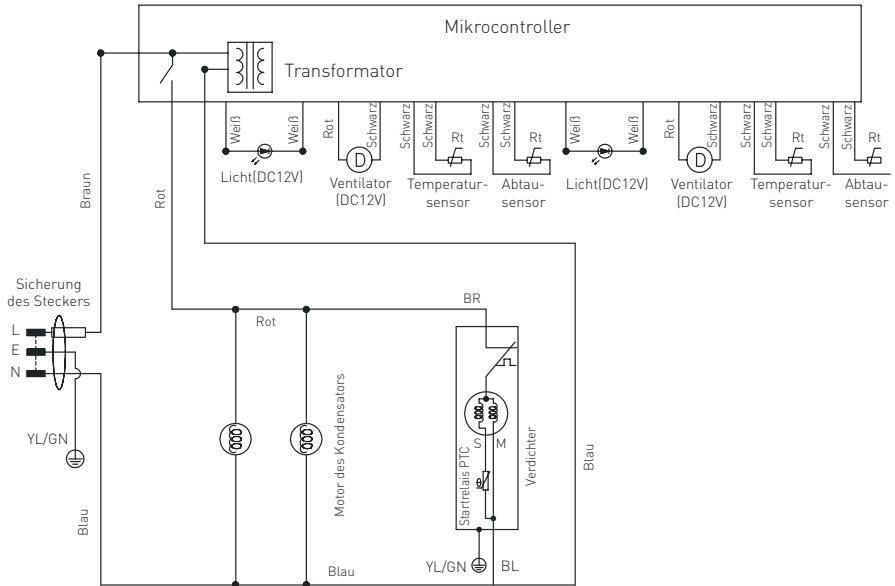
Nr. des Produktes	233221	233245
Betriebsspannung und Frequenz	220-240V~ 50Hz	
Nennleistungsaufnahme	45W	120W
Nennstrom	0,5 A	1,0 A
Temperaturbereich	5 °C bis 20 °C	
Schutzklasse	Klasse I	
Lichtleistung	4W	
Lärmpegel	< 60 dB (A)	
Kältemittel / Menge des eingespritzten Mittels	R600a / 30g	R600a / 55g
Energieklasse	G	
Schaumtreibmittel	Cyclopentan	
Klimaklasse	N-ST (16 °C bis zu 38 °C)	
Anzahl der Temperaturzonen	2	
Volumen	144L	424L
Kapazität – Anzahl der gelagerten Flaschen	43 ~ 44 Flaschen	165 ~ 166 Flaschen
Anzahl der Fächer	5	14
Nettogewicht (ca.)	55 kg	106 kg
Abmessungen	596 x 654 x (H) 855 mm	595 x 720 x (H) 1820 mm

Bemerkungen: Die Technische Spezifikation kann ohne frühere Ankündigung geändert werden.

Elektrischer Schaltplan

Produktes: 233221





Garantie

Alle innerhalb von einem Jahr nach dem Kaufdatum festgestellten Defekte oder Mängel, die die Funktionalität des Gerätes beeinträchtigen, werden auf dem Wege der unentgeltlichen Reparatur bzw. des Austausches unter der Voraussetzung beseitigt, dass das Gerät in einer der Bedienungsanleitung gemäßen Art und Weise betrieben und gewartet wird und weder vorsätzlich vernichtet noch nicht bestimmungsgemäß genutzt wurde. Ihre Rechte aus den entsprechenden Gesetzen

bleiben davon unberührt. Eine in der Garantiefrist einzureichende Beanstandung hat die Angabe des Kaufortes und Kaufdatums und in der Anlage einen Kaufbeleg (z.B. Kassenzettel) zu enthalten.

Gemäß unserer Politik der ständigen Weiterentwicklung unserer Produkte behalten wir uns vor, Änderungen am Produkt, an seiner Verpackung und an den dokumentierten technischen Daten ohne vorherige Ankündigung vorzunehmen.

Entsorgung und Umweltschutz

Wird das Gerät außer Betrieb genommen, darf es nicht über den Hausmüll entsorgt werden. Der Benutzer ist für die Übergabe des Gerätes an eine geeignete Sammelstelle für Altgeräte verantwortlich. Die Nichteinhaltung dieser Regel kann gemäß den geltenden Vorschriften über die Abfallentsorgung bestraft werden. Die getrennte Sammlung und das Recycling der Altgeräte trägt zur Schonung der natürlichen Ressourcen

bei und sorgt für eine umwelt- und gesundheitsschonende Verwertungsweise. Weitere Informationen darüber, wo Sie Ihre Altgeräte entsorgen können, erhalten Sie bei Ihrem örtlichen Entsorgungsunternehmen. Der Hersteller und der Importeur übernehmen keine Verantwortung für das Recycling sowie die umweltfreundliche Verwertung von Abfällen, weder direkt noch über ein öffentliches System.

Geachte klant,

Hartelijk dank voor de aankoop van dit Arktic apparaat. Leest u deze gebruiksaanwijzing zorgvuldig voordat u het apparaat gebruikt, dit om schade door verkeerd gebruik te voorkomen. Lees vooral de veiligheidsinstructies aandachtig door.


Veiligheidsinstructies

- Dit apparaat is bedoeld voor buffet en huishoudelijk gebruik.
- Het apparaat mag alleen worden gebruikt voor het doel waarvoor het werd ontworpen. De fabrikant aanvaardt geen enkele aansprakelijkheid voor schade als gevolg van onjuiste bediening en verkeerd gebruik.
- Zorg dat het apparaat en de stekker niet met water of een andere vloeistof in aanraking komen. Mocht het apparaat onverhoopt in het water vallen, trek dan onmiddellijk de stekker uit het stopcontact en laat het apparaat controleren door een erkend vakman. Niet-naleving hiervan kan levensgevaar opleveren.
- Probeer nooit zelf de behuizing van het apparaat te openen.
- Steek geen voorwerpen in de behuizing van het apparaat.
- Raak de stekker niet met natte of vochtige handen aan.
- ⚡ **Gevaar van elektrische schokken!** Probeer het apparaat niet zelf te repareren. In het geval van storingen, laat reparaties alleen uitvoeren door gekwalificeerd personeel.
- **Gebruik nooit een beschadigd apparaat!** Als het apparaat is beschadigd, haal de stekker dan uit het stopcontact en neem contact op met de winkel.
- **Waarschuwing!** Dompel de elektrische onderdelen van het apparaat niet onder in water of andere vloeistoffen. Houd het apparaat nooit onder stromend water.
- Controleer de stekker en het netsnoer regelmatig op schade. Als de stekker of het netsnoer is beschadigd, moet het worden vervangen door de technische dienst of een soortgelijk gekwalificeerd persoon om gevaar of letsel te voorkomen.
- Zorg ervoor dat het netsnoer niet in contact komt met scherpe of hete voorwerpen en houd het uit de buurt van open vuur. Als u de stekker uit het stopcontact wilt halen, trek dan altijd aan de stekker en niet aan het netsnoer.
- Zorg ervoor dat niemand per ongeluk aan het netsnoer (of verlengsnoer) kan trekken of kan struikelen over het netsnoer.
- Houd het apparaat in de gaten tijdens gebruik.
- **Waarschuwing!** Zolang de stekker in het stopcontact zit, is het apparaat aangesloten op de voedingsbron.
- Schakel het apparaat uit voordat u de stekker uit het stopcontact trekt.
- Draag het apparaat nooit aan het netsnoer.
- Gebruik geen extra hulpmiddelen die niet worden meegeleverd met het apparaat.
- Sluit het apparaat alleen aan op een stopcontact met de spanning en frequentie die is vermeld op het typeplaatje.
- Sluit de stekker aan op een stopcontact dat eenvoudig bereikt kan worden, zodat de stekker in geval van nood onmiddellijk uit het stopcontact kan worden getrokken. Trek de

stekker volledig uit het stopcontact om het apparaat volledig uit te schakelen. Gebruik de stekker om het apparaat los te koppelen van het lichtnet.

- Schakel het apparaat altijd uit voordat u de stekker uit het stopcontact trekt.
- Gebruik nooit accessoires die niet worden aanbevolen door de fabrikant. Zij kunnen mogelijk een veiligheidsrisico vormen voor de gebruiker en kunnen het apparaat mogelijk beschadigen. Gebruik alleen originele onderdelen en accessoires.
- Dit apparaat is niet geschikt voor gebruik door personen (inclusief kinderen) met een verminderd fysiek, sensorisch of geestelijk vermogen, of gebrek aan ervaring en kennis.
- Dit apparaat mag onder geen enkele omstandigheid worden gebruikt door kinderen.
- Houd het apparaat en het netsnoer buiten bereik van kinderen.
- Kinderen mogen niet met het apparaat spelen.
- Koppel het apparaat altijd los van het lichtnet als het onbeheerd wordt achtergelaten en voordat het apparaat wordt gemonteerd, gedemonteerd of gereinigd.
- Laat het apparaat nooit onbeheerd achter tijdens gebruik.

Speciale voorzorgsmaatregelen

- Gebruik het apparaat alleen zoals beschreven in deze handleiding.
-  **Let op! Gevaar voor brand!** Het gebruikte koelmiddel is R600a. Dit is een ontvlambaar gas dat milieuvriendelijk is. Het beschadigt de ozonlaag niet en draagt niet bij aan het broeikaseffect. Het gebruik van het koelmiddel leidt echter wel tot een lichte toename van het geluidsniveau van het apparaat. Het is mogelijk dat u, naast het geluid van de compressor, ook het koelmiddel hoort stromen in het systeem. Dit is onvermijdelijk en heeft geen nadelig effect op de prestaties van het apparaat. Tijdens het transport en de installatie van het apparaat moet erop worden gelet dat er geen onderdelen van het koelsysteem worden beschadigd. Gelekt koelmiddel kan uw ogen schaden.
- Het schuimblaasmiddel dat in dit apparaat wordt gebruikt is Cyclopentaan. Dit is licht ontvlambaar.
- Dit apparaat is geschikt voor gebruik bij omgevingstemperaturen van 16°C ~ 38°C.
- Plaats het apparaat niet op een verwarmingsvoorwerp (kooktoestel op benzine, elektriciteit, houtskool, etc.) en houd het uit de buurt van hete oppervlakken en open vlammen. Gebruik het apparaat altijd op een horizontale, stabiele, schone, hittebestendige en droge ondergrond.
- Gebruik het apparaat niet in de buurt van explosieve of ontvlambare materialen, creditcards, magnetische schijven of radio's.
- Dit apparaat is niet bedoeld om gebruikt te worden in combinatie met een externe timer of apart afstandsbedieningssysteem.
- **WAARSCHUWING:** Houd alle ventilatieopeningen in de behuizing van het apparaat vrij.
- **WAARSCHUWING:** Gebruik alleen door de fabrikant aanbevolen mechanische apparaten of andere middelen om het ontdooiproces te versnellen.
- **WAARSCHUWING:** Beschadig het koelmiddelcircuit niet.
- Laat tijdens gebruik minimaal 10 cm ruimte vrij rond het apparaat voor ventilatie.

- Gebruik geen waterstralen of stoomreiniger en spoel niet rechtstreeks met water, omdat de onderdelen van de machine nat kunnen worden en dit kan leiden tot elektrische schokken.
- **Let op!** Plaats het netsnoer indien nodig op een veilige manier om te voorkomen dat het netsnoer in contact kan komen met het verwarmingsoppervlak en dat er per ongeluk aan het netsnoer kan worden getrokken.
- Alleen reinigen en opbergen als het apparaat volledig is afgekoeld.
- Bewaar de sleutel van de deur buiten het bereik van kinderen.
- Het apparaat mag niet worden gekanteld onder een hoek groter dan 5°. Wacht nadat het apparaat is geïnstalleerd 2 uur alvorens het aan te sluiten op het lichtnet en in te schakelen. Dit geldt ook als het apparaat op een later tijdstip wordt verplaatst.

Beoogd gebruik

- Dit apparaat is bedoeld voor buffet en huishoudelijk gebruik.
- Het apparaat is uitsluitend bestemd voor het koelen van wijn en de opslag van wijn. (bijv. champagne, witte wijn, rode wijn, etc.). Elk ander gebruik kan leiden tot schade aan het apparaat of lichamelijk letsel.

- Gebruik van het apparaat voor andere doeleinden wordt beschouwd als verkeerd gebruik van het apparaat. De gebruiker is volledig aansprakelijk voor alle risico's die voortvloeien uit verkeerd gebruik van het apparaat.

Installatie met aarding

Dit apparaat is geclassificeerd als beschermingsklasse I en moet worden aangesloten op een aansluiting met aarde. Aarding verlaagt de kans op elektrische schokken doordat elektrische stroom via een ontsnapingsdraad kan weglopen. Dit ap-

paraat is uitgerust met een snoer met een aardedraad en een geaarde stekker. De stekker moet in een stopcontact worden gestoken dat juist is geïnstalleerd en geaard.

Belangrijkste onderdelen van de machine

1. Behuizing
2. Aanraakgevoelig bedieningspaneel (Zie ==>> Bediening)
3. Bovenste scharnierkap
4. Deurstijl
5. Houten rekken (5 rekken voor artikel 233221; 14 rekken voor artikel 233245)
6. Onderste scharnierkap
7. Ventilatiegaten
8. Sleutelgat voor vergrendelen deur
9. Handgreep deur
10. Installatieset voor omkantelbeveiliging: 2x beugel, 2x schroeven, 4x metalen tussenstuk.



Installatie-instructies

- Haal het apparaat uit de kartonnen doos en verwijder vervolgens de externe en interne verpakkingsmaterialen.
- Controleer of het apparaat onbeschadigd is. Gebruik het apparaat NIET in geval van een onvolledige levering of schade. Neem contact op met de leverancier (Zie == > Garantie).
- Laat het apparaat ongeveer 2 uur rechtop staan. Dit doet u om de kans op storingen in het koelsysteem door onjuiste behandeling tijdens het transport te beperken.
- Reinig het binnenoppervlak met warm water en een zachte doek. (Zie == > Reiniging en onderhoud).
- Plaats het apparaat op een horizontale, stabiele, hittebestendige ondergrond uit de buurt van waterspatten.
- De optimale omgevingstemperatuur voor gebruik ligt tussen 16°C en 32°C. Het apparaat heeft bij temperaturen buiten dit bereik een beperkte functionaliteit.
- Zorg ervoor dat er voldoende ventilatie is. Houd een minimale afstand van 10cm vrij rond het apparaat. Blokkeer de ventilatiegaten niet.
- Zorg er om energie te besparen voor dat de deur altijd is gesloten.

De beugels voor omkantelbeveiliging installeren (alleen voor artikel: 233245)

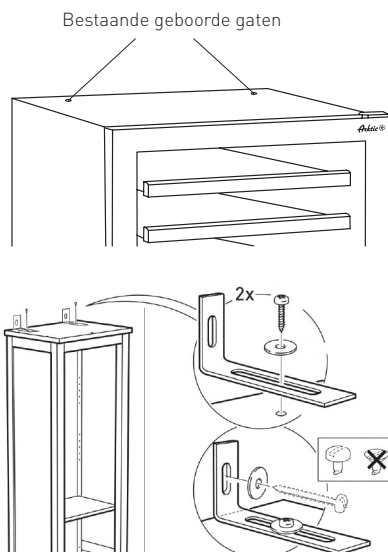
LET OP: Gebruik de overeenkomstige kruiskop-schroevendraaier voor de installatie.

Voorafgaand aan de installatie: Controleer of de wandbeugel niet is beschadigd & controleer of de installatiesets compleet zijn. NIET installeren als er iets ontbreekt of beschadigd is.

NL

WAARSCHUWING: Er kunnen ongelukken gebeuren in het geval dat de wijnkoeler omkantelt. Gebruik de meegeleverde beugels om de koeler aan de muur te bevestigen, zodat deze niet kan omvallen. Zie afbeelding voor installatiedetails.

Er zijn geen muurbevestigingen meegeleverd, omdat muren van verschillende materialen verschillende soorten bevestigingen vereisen. Gebruik bevestigingsmaterialen die geschikt zijn voor uw muren. Neem voor advies over geschikte bevestigingsmiddelen contact op met uw plaatselijke specialist.



Bediening

Het apparaat is onderverdeeld in twee afzonderlijke zones. De "BOVENSTE ZONE" en "ONDERSTE ZONE" van het apparaat worden afzonderlijk bediend met behulp van het bedieningspaneel (2).



Temperatuurregeling en -weergave

- Steek de stekker in een geschikt stopcontact., de cijfers "888" knipperen voor een paar seconden en er klinkt een piepgeluid voor de standaard fabrieksinstellingen.
- Daarna wordt de temperatuur van de bovenste zone en onderste zone getoond op het display (U2/L2).
- Stel vervolgens de temperatuur van een van beide zones in door op "+" of "-" te drukken (U1/L1) [Bereik: 41°F (5°C) tot 68°F(20°C)]. De zonetemperatuur heeft een tolerantie van + / - 5°F (+/- 3°C) van de ingestelde waarde, afhankelijk van het aantal opgeslagen flessen & de omgevings-temperatuur.

AAN/UIT zetten

- Houd S1 voor 3 tot 4 seconden ingedrukt om het apparaat AAN / UIT te zetten.
- Nadat het apparaat is uitgeschakeld, worden beide displays (U2 en L2) donker.

Binnenverlichting

- Druk op U3 of L3 om de verlichting van de BOVENSTE ZONE of ONDERSTE ZONE van het apparaat dienovereenkomstig in te schakelen.
- Druk nogmaals op U3 of L3 om de verlichting van de BOVENSTE ZONE of ONDERSTE ZONE dienovereenkomstig uit te schakelen.
- De binnenverlichting blijft branden als deze niet wordt uitgeschakeld door op de knoppen te drukken.

Conversie temperatuureenheid

- De temperatuurweergave kan worden gewijzigd en worden ingesteld op Celsius (°C) of Fahrenheit (°F) door op de knop te drukken (T1).

Toetsvergrendelingsmodus

- Als er niet binnen 15 seconden geen knoppen worden aangeraakt, zal het apparaat overschakelen naar de "Toetsvergrendelingsmodus". In de "Toetsvergrendelingsmodus" reageren de knoppen niet tenzij u eerst de "Toetsvergrendelingsmodus" uitschakelt.
- U kunt de "Toetsvergrendelingsmodus" uitschakelen door U1 ingedrukt te houden (druk voor een paar seconden tegelijkertijd op zowel "+" als "-"). Daarna is de "Toetsvergrendelingsmodus" uitgeschakeld.

Opmerking: De deur van het apparaat kan aan de onderkant (8) worden vergrendeld met behulp van een sleutel (meegeleverd)

Weergave foutcodes

Getoonde foutcodes op het display (U2/L2)	Mogelijke oorzaken	Mogelijke oplossingen
"E0" knippert	Verbindingsfout, draad of onderdeel is niet stevig verbonden.	Neem contact op met de leverancier.
"E1" knippert	De temperatuursensor van de bijbehorende zone werkt niet naar behoren	Neem contact op met de leverancier.
"E2" knippert	De ontdooisensor van de bijbehorende zone werkt niet naar behoren	Neem contact op met de leverancier.

Optimale serveertemperatuur wijn

Temperatuur	Soort wijn	Wijncategorie
18°C (65°F)	Rijk, Intens, Eiken, Peper	Bordeaux, Cabernet Sauvignon, Shiraz
17°C (63°F)	Rode wijnen	Barolo, Burgundy Grand Cru
16°C (61°F)	Rode wijnen met medium tot lichte body	Rioja, Pinot Noir, CDP
15°C (59°F)		Chianti, Zinfandel
14°C (57°F)		Chinon, Port, Madeira
13°C (55°F)		Dolcetto, Cotes Du Rhone
12°C (54°F)	Fruiting, Fruitage rode wijnen	Beaujolais, Valpolicella
11°C (52°F)	Witte wijnen met zware body/geëikt	Witte Burgundy
10°C (50°F)	Witte wijnen met medium tot lichte body	Chardonnay, Sauternes
9°C (48°F)	Witte wijnen	Sauvignon Blanc, Chablis
8°C (47°F)	Zoete en mousserende wijnen	Vintage champagne
7°C (45°F)		
6°C (43°F)		Champagne NV, Prosecco, Cava, Asti

Opmerking: Bovenstaande tabel dient alleen ter referentie.

Reiniging en onderhoud

Let op: Trek de stekker van het apparaat altijd uit het stopcontact en laat het apparaat afkoelen alvorens het apparaat te reinigen & op te bergen.

Reiniging

- Reinig het apparaat voor en na elk gebruik.
- Dompel het apparaat nooit onder in water of andere vloeistoffen.
- Reinig het apparaat niet met een waterstraal.
- Reinig het oppervlak met een licht bevochtigde doek of spons en een milde zeepoplossing
- Alle gewassen onderdelen moeten worden schoongespoeld met water om resten van reinigingsmiddelen te verwijderen.
- Gebruik nooit schurende sponsjes of reinigingsmiddelen, staalwol of metalen keukengerei/ge-reedschap om de onderdelen aan de binnenkant of buitenkant van het apparaat te reinigen.
- Droog de binnen- en buitenoppervlakken met een zachte doek.

Opslag

- Zorg er voor het opbergen altijd voor dat het apparaat is losgekoppeld van het stopcontact en volledig is afgekoeld.
- Bewaar het apparaat op een koele, schone en droge plek.

Transport

- Trek de stekker uit het stopcontact.
- Verwijder alle wijnflessen uit het apparaat.
- Zet alle losse onderdelen in het apparaat stevig vast met tape.
- Vergrendel de deur.
- Er zijn minimaal 2 personen benodigd om het transport te assisteren.

Problemen oplossen

Als het apparaat niet naar behoren functioneert, raadpleeg dan de onderstaande tabel voor een oplossing. Als u het probleem nog steeds niet kunt oplossen, neem contact op met de leverancier/dienstverlener.

Problemen	Mogelijke oorzaken	Mogelijke oplossingen
Het apparaat is aangesloten op de voeding, maar functioneert niet.	De stekker is niet juist aangesloten op het stopcontact.	Controleer nogmaals of de stekker goed is aangesloten.
	De stroomonderbreker is geactiveerd of er is een zekering gesprongen.	Neem contact op met de leverancier.
De temperatuur in het apparaat is te hoog.	Temperatuur is te hoog ingesteld.	Stel in op een lagere instelling.
	De deur wordt te lang open gehouden.	Open de deur minder vaak.
	De pakking van de deur dicht het apparaat niet naar behoren af.	Controleer en zorg ervoor dat de pakking van de deur goed afdicht.
Er vormt zich vocht op de wanden in het apparaat.	De deur wordt te lang open gehouden.	Open de deur minder vaak.

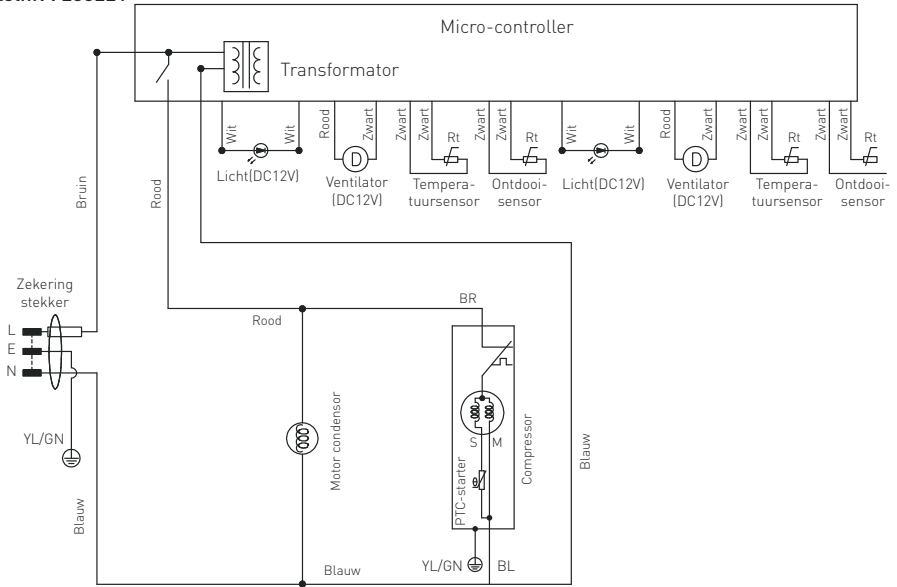
Technische specificaties

Artikelnr.	233221	233245
Bedrijfsspanning en frequentie	220-240V~ 50Hz	
Nominaal ingangsvermogen	45W	120W
Nominale stroom	0,5 A	1,0 A
Instelbereik temperatuur	5°C tot 20°C	
Beschermingsklasse	Klasse I	
Vermogen verlichting	4W	
Geluidsniveau	< 60 dB (A)	
Gebruikt koelmiddel en injectiehoeveelheid	R600a / 30g	R600a / 55g
Energie-efficiëntieklasse	G	
Ontvlambaar schuimmiddel	Cyclopentaan	
Klimaatklasse	N-ST (16°C tot 38°C)	
Aantal temperatuurzones	2	
Volumecapaciteit	144L	424L
Opslagcapaciteit flessen	43 ~ 44 flessen	165 ~ 166 flessen
Aantal rekken	5	14
Nettogewicht (ca.)	55 kg	106 kg
Afmetingen	596 x 654 x (H) 855 mm	595 x 720 x (H) 1820 mm

Opmerking: Technische specificaties onderhevig aan verandering zonder voorafgaande kennisgeving.

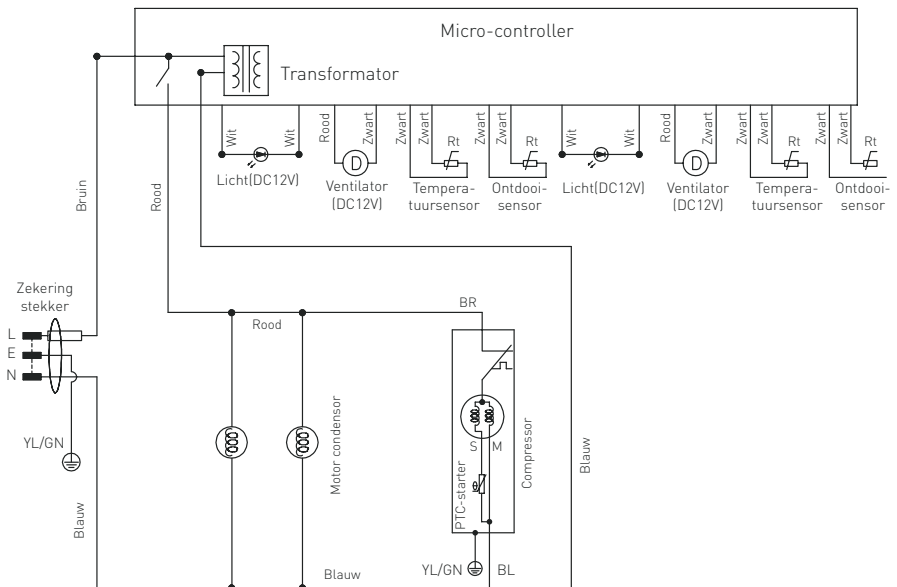
Elektrisch schema

Artikelnr. : 233221



NL

Artikelnr. : 233245



Garantie

Elk defect waardoor de werking van het apparaat nadelig wordt beïnvloed dat zich binnen één jaar na aankoop van het apparaat voordoet, wordt gratis hersteld door reparatie of vervanging, mits het apparaat conform de instructies gebruikt en onderhouden en niet op enigerlei wijze verkeerd is behandeld of misbruikt. Dit laat onverlet uw bij wet bepaalde rechten. Als de garantie van kracht

is, vermeld dan waar en wanneer u het apparaat hebt gekocht en sluit een aankoopbewijs bij (bijv. kassabon of factuur).

Gezien ons streven naar voortdurende verdere productontwikkeling behouden wij ons het recht voor, zonder voorafgaande kennisgeving wijzigingen aan te brengen aan product, verpakking en documentatie.

Verwijdering & milieu


Bij de buitengebruikstelling van het apparaat, mag het niet met het overige huisafval worden verwijderd. In plaats daarvan is het uw verantwoordelijkheid om uw afgedankte apparatuur in te leveren bij een daartoe aangewezen inzamelpunt. Het niet opvolgen van deze regel kan worden bestraft in overeenstemming met de geldende voorschriften voor afvalverwerking. De gescheiden inzameling en recycling van uw afgedankte apparatuur ten tijde van buitengebruikstelling helpt bij de instand-

houding van natuurlijke hulpbronnen en waarborgt dat de apparatuur wordt gerecycled op een manier die de volksgezondheid en het milieu beschermt. Voor meer informatie over waar u uw afval kunt inleveren voor recycling kunt u contact opnemen met uw lokale afvalverwerkingsbedrijf. De fabrikant en importeurs nemen geen verantwoordelijkheid voor de recycling, behandeling en ecologische verwijdering, hetzij rechtstreeks of via een openbaar systeem.

Szanowny Kliencie,

Dziękujemy za zakup urządzenia firmy Arktic. Prosimy o uważne zapoznanie się z niniejszą instrukcją przed podłączeniem urządzenia, aby uniknąć uszkodzeń spowodowanych niewłaściwą obsługą. Należy zwrócić szczególną uwagę na zasady bezpieczeństwa.

Zasady bezpieczeństwa

- Urządzenie przeznaczone do bufetu oraz do użytku domowego.
- Urządzenie należy stosować wyłącznie zgodnie z przeznaczeniem. Producent nie ponosi żadnej odpowiedzialności za szkody spowodowane nieprawidłową obsługą i niewłaściwym użytkowaniem urządzenia.
- W czasie użytkowania zabezpiecz urządzenie i wtyczkę kabla zasilającego przed kontaktem z wodą lub innymi płynami. W mało prawdopodobnym przypadku zanurzenia urządzenia w wodzie, należy natychmiast wyciągnąć wtyczkę z kontaktu, a następnie zlecić kontrolę urządzenia specjalistom. Nieprzestrzeganie tej instrukcji może spowodować zagrożenie życia.
- Nigdy nie otwieraj samodzielnie obudowy urządzenia.
- Nie wtykaj żadnych przedmiotów w obudowę urządzenia.
- Nie dotykaj wtyczki kabla zasilającego wilgotnymi rękami.
-  **Niebezpieczeństwo porażenia prądem!** Nie należy samodzielnie naprawiać urządzenia. Wszelkie usterki i niesprawności winny być usuwane wyłącznie przez wykwalifikowany personel.
- **Nigdy nie używać uszkodzonego urządzenia!** Uszkodzone urządzenie należy odłączyć od sieci i skontaktować się ze sprzedawcą.
- **Ostrzeżenie:** Nie zanurzać części elektrycznych urządzenia w wodzie ani w innych płynach. Nie wkładać urządzenia pod bieżącą wodę.
- Regularnie sprawdzać wtyczkę i sznur zasilający pod kątem uszkodzeń. Uszkodzoną wtyczkę lub sznur przekazać w celu naprawy do punktu serwisowego lub innej wykwalifikowanej osoby, aby zapobiec ewentualnym zagrożeniom i obrażeniom ciała.
- Upewnić się, czy sznur zasilający nie styka się z ostrymi ani gorącymi przedmiotami; trzymać sznur z dala od otwartego płomienia. Aby wyjąć wtyczkę z gniazdka, zawsze ciągnąć za wtyczkę, a nie za sznur.
- Zabezpieczyć sznur zasilający (lub przedłużający) przez przypadkowym wyciągnięciem z kontaktu. Sznur prowadzić w sposób uniemożliwiający przypadkowe potknięcie.
- Stale nadzorować urządzenie podczas użytkowania.
- **Ostrzeżenie!** Jeżeli wtyczka jest włożona do gniazdka, urządzenie należy uważać za podłączone do zasilania.
- Przed wyjęciem wtyczki z gniazdka wyłączyć urządzenie!
- Nigdy nie przenosić urządzenia, trzymając za sznur.
- Nie używać żadnych akcesoriów, które nie zostały dostarczone wraz z urządzeniem.
- Urządzenie należy podłączać wyłącznie do gniazdka o napięciu i częstotliwości podanych na tabliczce znamionowej.

PL

- Włożyć wtyczkę do gniazdka zlokalizowanego w dogodnym łatwo dostępnym miejscu, tak by w przypadku awarii istniała możliwość natychmiastowego odłączenia urządzenia. W celu całkowitego wyłączenia urządzenia odłączyć je od źródła zasilania. W tym celu wyjąć z gniazdka wtyczkę znajdującą się na końcu sznura odłączanego urządzenia.
- Przed odłączeniem wtyczki zawsze pamiętać o wyłączeniu urządzenia!
- Nie korzystać z akcesoriów niezalecanych przez producenta. Zastosowanie niezalecanych akcesoriów może stwarzać zagrożenie dla użytkownika oraz prowadzić do uszkodzenia urządzenia. Korzystać wyłącznie z oryginalnych części i akcesoriów.
- Z urządzenia nie mogą korzystać osoby (także dzieci), u których stwierdzono osłabione zdolności fizyczne, sensoryczne lub umysłowe, albo którym brakuje odpowiedniej wiedzy i doświadczenia.
- W żadnym wypadku nie zezwalać na obsługę urządzenia przez dzieci.
- Urządzenie wraz ze sznurem przechowywać poza zasięgiem dzieci.
- Nie dopuścić, by dzieci wykorzystywały urządzenie do zabawy.
- Zawsze odłączyć urządzenie od zasilania, jeżeli ma być ono pozostawione bez nadzoru, a także przed montażem, demontażem i czyszczeniem.
- Nie zostawiać urządzenia bez nadzoru podczas użytkowania.

Szczególne przepisy bezpieczeństwa

- Korzystaj z urządzenia wyłącznie zgodnie z niniejszą instrukcją.



Uwaga! Niebezpieczeństwo powstania ognia! W urządzeniu wykorzystywany jest czynnik chłodniczy R600a. Jest to przyjazny dla środowiska łatwopalny gaz ziemny. Nie jest szkodliwy dla warstwy ozonowej i nie ma wpływu na efekt cieplarniany. Wykorzystanie tego czynnika chłodniczego prowadzi jednak do nieznacznego podwyższenia poziomu hałasu wytwarzanego przez urządzenie. Poza hałasem generowanym przez sprężarkę, użytkownik może usłyszeć dźwięk spowodowany przepływem czynnika chłodniczego. Powyższego zjawiska nie da się uniknąć i nie ma on negatywnego wpływu na funkcjonowanie urządzenia. Podczas transportu i ustawiania urządzenia należy zachować szczególną ostrożność, by nie uszkodzić żadnych części systemu chłodniczego. Wyciekający czynnik chłodniczy może prowadzić do uszkodzenia oczu.

- **Uwaga!** W urządzeniu jako porofor izolacji użyto Cyklopentanu, który jest wysoce łatwopalny!
- Temperatura otoczenia w miejscu eksploatacji powinna mieścić się w zakresie od 16°C do 38 °C.
- Nie umieszczaj urządzenia na obiekcie emitującym ciepło (kuchenka gazowa, elektryczna, grill, itp.). Przechowuj urządzenie z dala od jakichkolwiek gorących powierzchni lub otwartego płomienia. Urządzenie powinno zostać ustawione i być obsługiwane na równej, stabilnej, czystej i suchej powierzchni, odpornej na działanie wysokich temperatur.
- Nie używaj urządzenia w pobliżu materiałów wybuchowych lub łatwopalnych, kart płatniczych, dysków magnetycznych lub radioodbiorników.

- Urządzenie nie jest przystosowane do obsługi za pomocą zewnętrznego timera lub oddzielnego systemu zdalnego sterowania.
- **OSTRZEŻENIE:** Nie zastanawiaj otworów wentylacyjnych obudowy urządzenia.
- **OSTRZEŻENIE:** Nie używaj przyrządów mechanicznych ani narzędzi innych niż zalecane przez producenta w celu przyspieszenia procesu rozmrażania.
- **OSTRZEŻENIE:** Nie wolno doprowadzić do uszkodzenia obiegu czynnika chłodniczego.
- Zapewnij co najmniej 10-centymetrową przestrzeń wokół urządzenia, celem umożliwienia odpowiedniej wentylacji podczas użytkowania.
- Nie czyść urządzenia strumieniem wody pod ciśnieniem ani przy pomocy myjki parowej, nie sputkuj urządzenia wodą, ponieważ doprowadzi to do zawilgocenia lub zamoczenia części wewnątrz urządzenia, co może skutkować porażeniem prądem.
- **Uwaga!** Odpowiednio poprowadź i zabezpiecz przewód zasilający, aby zapobiec przypadkowemu pociągnięciu lub kontaktowi z nagrzaną powierzchnią.
- Nie czyść ani nie umieszczaj urządzenia w miejscu przechowywania, zanim całkowicie nie ostygnie.
- Kluczyk do drzwi przechowuj poza zasięgiem dzieci.
- Urządzenie nie powinno stać przechylone pod kątem większym niż 5°. Po przeprowadzeniu montażu urządzenia odczekaj 2 godziny przed podłączeniem go do źródła zasilania i uruchomieniem. Powyższe zalecenie dotyczy również sytuacji, gdy urządzenie jest w późniejszym terminie przestawiane w inne miejsce.

PL

Przeznaczenie

- Urządzenie przeznaczone do bufetu oraz do użytku domowego.
- Urządzenie przeznaczone jest wyłącznie do przechowywania i chłodzenia wina (np. szampana, białego i czerwonego wina itp.). Użycie urządzenia w jakimkolwiek innym celu może prowadzić do jego uszkodzenia lub do obrażeń ciała.
- Wykorzystanie urządzenia w jakimkolwiek innym celu uznane będzie za wykorzystanie niezgodne z przeznaczeniem. Użytkownik będzie wyłącznie odpowiedzialny za nieprawidłowe wykorzystanie urządzenia.

Montaż uziemienia

Kuchenka jest urządzeniem I klasy ochronności i wymaga uziemienia. Uziemienie zmniejsza ryzyko porażenia prądem, dzięki zastosowaniu przewodu odprowadzającego prąd elektryczny. Kuchenka wy-

posażona jest w przewód z uziemieniem z wtykiem uziemiającym. Wtyczka musi zostać podłączona do gniazdka sieciowego, które zostało odpowiednio zamontowane i uziemione.

Główne części urządzenia

1. Obudowa
2. Dotykowy panel sterowania (Patrz ==> Eksploatacja)
3. Ostona górnego zawiasu
4. Rama drzwi
5. Drewniane półki (5 półek dla modelu 233221, 14 dla modelu 233245)
6. Ostona dolnego zawiasu
7. Otwory wentylacyjne
8. Dziurka od klucza służąca do zamknięcia drzwi urządzenia
9. Uchwyt drzwi
10. Zestaw montażowy zapobiegający wywróceniu się: 2x wspornik, 2x wkręt, 4x przegroda metalowa.



Wskazówki dotyczące instalacji

- Wyjmij urządzenie z kartonowego pudełka, zdejmij wewnętrzne i zewnętrzne opakowanie i zabezpieczenia.
- Sprawdź, czy urządzenie nie jest uszkodzone. W przypadku niepełnej dostawy lub uszkodzeń, NIE korzystaj z urządzenia. Skontaktuj się z dostawcą (patrz == > Gwarancja).
- Pozostaw urządzenie w pozycji pionowej przez ok. 2 godziny. Takie działanie ma na celu zmniejszenie zakresu nieprawidłowości w działaniu układu chłodzenia w przypadku niewłaściwego przeniesienia urządzenia podczas transportu.
- Umyj zewnętrzne powierzchnie miękką ściereczką zanurzoną w ciepłej wodzie. (Patrz ==> Czyszczenie i konserwacja).
- Umieść urządzenie na poziomej stabilnej powierzchni, odpornej na działanie wysokich temperatur i rozbryzgi wody.
- Robocza temperatura otoczenia powinna mieścić się w przedziale od 16°C do 32°C. W przeciwnym razie urządzenie może nie działać poprawnie.
- Zapewnij odpowiednią wentylację. Zapewnij co najmniej 10-centymetrowy odstęp wokół urządzenia. Nie zakrywaj otworów wentylacyjnych.
- W celu oszczędzania energii zawsze upewnij się, czy drzwi są zamknięte.

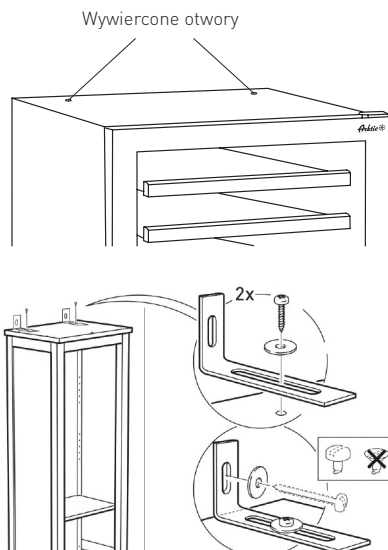
Montaż wsporników zapobiegających wywróceniu się (wyłącznie model 233245)

UWAGA: Podczas montażu używaj wkrętaka z tępym krzyżakowym.

Przed montażem: Sprawdź wieszak ścienny pod kątem uszkodzeń i kompletności zestawów montażowych. NIE montuj produktu w przypadku uszkodzeń lub braków.

OSTRZEŻENIE: Jeśli chłodziarka do wina wywróci się, może dojść do wypadku. Aby chłodziarka nie wywróciła się, zamontuj ją do ściany, korzystając z dołączonych wsporników. Więcej o montażu dowiesz się z rysunku.

Z uwagi na to, że różne ściany wymagają różnych kotków rozporowych, nie dołączono ich do zestawu. Zastosuj kotki rozporowe zgodne ze swoją ścianą. Poradę dotyczącą kotków rozporowych uzyskasz od lokalnego przedstawiciela.



Eksplatacja

Urządzenie składa się z dwóch oddzielnych stref. Sterowanie „STREFĄ GÓRNOJĄ” i „STREFĄ DOLNOJĄ” urządzenia odbywa się oddzielnie za pomocą panelu sterowania (2).



Regulacja temperatury i wyświetlacz

- Podłącz urządzenie do odpowiedniego gniazdka elektrycznego; na wyświetlaczu przez kilka sekund migać będzie komunikat „888” i rozlegnie się sygnał dźwiękowy - urządzenie pracować będzie według ustawień fabrycznych.
- Następnie na wyświetlaczu pojawi się temperatura strefy górnej i dolnej (U2/L2).
- Następnie ustaw temperaturę dla każdej strefy za pomocą przycisków „+” lub „-” (U1/L1) [Zakres: 41°F (5°C) do 68°F(20°C)]. Temperatura strefy może odbiegać o +/- 5°F (+/- 3°C) od ustawienia temperatury w zależności od ilości przechowywanych butelek i temperatury otoczenia.

Przełącznik ON/OFF

- Wciśnij i przytrzymaj przycisk S1 przez 3 - 4 sekundy, by włączyć lub wyłączyć urządzenie.
- Po wyłączeniu urządzenia obydwa wyświetlacze (U2 i L2) zgasną.

Oświetlenie wewnętrzne

- Wciśnij odpowiednio przycisk U3 lub L3, aby włączyć światło w STREFIE GÓRNEJ lub DOLNEJ.
- Wciśnij ponownie przycisk U3 lub L3, aby wyłączyć światło w STREFIE GÓRNEJ lub DOLNEJ.
- Światło wewnętrzne nie zgaśnie, jeśli nie zostanie zgaszone ręcznie.

Zmiana jednostki temperatury

- Jednostka temperatury może zostać zmieniona ze stopni Celsjusza (°C) na stopnie Fahrenheita (°F) i vice versa za pomocą przycisku (T1).

- Aby wyłączyć tryb blokady, wciśnij i przytrzymaj przycisk U1 (wciśnij jednocześnie przyciski „+” i „-” i przytrzymaj przez kilka sekund). Tryb blokady zostanie wyłączony.

Tryb blokady

- Jeśli żaden przycisk nie zostanie wciśnięty przez 15 sekund, urządzenie automatycznie uruchomi tryb „blokady”. W tym trybie nie będzie możliwa zmiana ustawień urządzenia, aż do momentu wyłączenia blokady.

Uwaga: Drzwi urządzenia można zamknąć na klucz (dziurka od klucza znajduje się w dolnej części urządzenia - (8)) (klucz dołączony do urządzenia)

Wyświetlane kody błędów

Kody błędów widoczne na wyświetlaczu (U2/L2).	Możliwa przyczyna	Proponowane rozwiązanie
Miga komunikat „E0”	Błąd połączenia, przewód lub część urządzenia podłączona nieprawidłowo.	Skontaktuj się z dostawcą.
Miga komunikat „E1”	Błąd działania czujnika temperatury w odpowiedniej strefie	Skontaktuj się z dostawcą.
Miga komunikat „E2”	Błąd działania czujnika rozmrażania w odpowiedniej strefie	Skontaktuj się z dostawcą.

Optymalna temperatura serwowania wina

Temperatura	Rodzaj wina	Kategoria wina
18°C (65°F)	Bogate, intensywne, dębowe, pieprzowe	Bordeaux, Cabernet Sauvignon, Shiraz
17°C (63°F)	Czerwone	Barolo, Burgundy Grand Cru
16°C (61°F)	Wina czerwone o średniej lub lekkiej budowie	Rioja, Pinot Noir, CDP
15°C (59°F)		Chianti, Zinfandel
14°C (57°F)		Chinon, Port, Madeira
13°C (55°F)		Dolcetto, Cotes Du Rhone
12°C (54°F)	Czerwone wina soczyste i owocowe	Beaujolais, Valpolicella
11°C (52°F)	Wina białe o mocnej budowie/dębowe	Białe burgundy
10°C (50°F)	Wina o średniej lub lekkiej budowie	Chardonnay, Sauternes
9°C (48°F)	Wina białe	Sauvignon Blanc, Chablis
8°C (47°F)	Wina słodkie i musujące	Szampany typu vintage
7°C (45°F)		
6°C (43°F)		Champagne NV, Prosecco, Cava, Asti

Uwaga: Powyższe dane mają charakter wyłącznie informacyjny.

Czyszczenie i konserwacja

Uwaga: Przed rozpoczęciem czyszczenia i umieszczeniem urządzenia w miejscu przechowywania, zawsze odłącz urządzenie od gniazdka sieciowego i odczekaj, aż kuchenka ostygnie.

Czyszczenie

- Umyj urządzenie przed i po każdym użyciu.
- Nigdy nie zanurzaj urządzenia w wodzie ani innych płynach.
- Nie czyść urządzenia strumieniem wody.
- Powierzchnie urządzenia czyść przy pomocy wilgotnej ściereczki lub gąbki, z niewielką ilością roztworu łagodnego środka myjącego.
- Wszystkie części urządzenia przemyj wodą, aby usunąć pozostałości środka czyszczącego.
- Nie używaj gąbek ściernych, detergentów, wełny stalowej ani metalowych przyborów do czyszczenia wewnętrznych lub zewnętrznych części urządzenia.
- Niezwłocznie po umyciu, osusz wewnętrzne i zewnętrzne powierzchnie urządzenia przy użyciu miękkiej ściereczki.

Przechowywanie

- Przed umieszczeniem w miejscu przechowywania zawsze upewnij się, czy urządzenie zostało odłączone od gniazdka sieciowego i całkowicie ostygło.
- Przechowuj urządzenie w chłodnym, czystym i suchym miejscu.

Transport

- Odłącz urządzenie od źródła zasilania wyjmując wtyczkę z gniazdka.
- Wyjmij z urządzenia wszystkie butelki z winem.
- Zabezpiecz wszystkie nieprzymocowane na stałe części wewnątrz urządzenia za pomocą taśmy.
- Zamknij drzwi.
- Urządzenie powinny przenosić co najmniej 2 osoby.

Rozwiązywanie problemów

Jeśli urządzenie nie działa prawidłowo, zapoznaj się z poniższą tabelą w celu znalezienia prawidłowego rozwiązania. Jeśli nadal nie możesz rozwiązać problemu, skontaktuj się z dostawcą.

Problem	Możliwa przyczyna	Proponowane rozwiązanie
Urządzenie jest podłączone do źródła zasilania, ale nie uruchamia się.	Wtyczka nie jest prawidłowo podłączona do źródła zasilania.	Sprawdź, czy wtyczka jest prawidłowo podłączona do źródła zasilania.
	Uruchomił się wyłącznik przeciążeniowy lub przepalił się bezpiecznik.	Skontaktuj się z dostawcą.
Zbyt wysoka temperatura wewnątrz urządzenia	Ustawiona temperatura jest zbyt wysoka	Ustaw niższą temperaturę
	Drzwi były zbyt długo otwarte	Ogranicz otwieranie drzwi
	Uszczelka drzwi nie działa prawidłowo	Upewnij się, czy uszczelka gwarantuje prawidłowe zamknięcie drzwi.
Na wewnętrznych ściankach urządzenia zbiera się wilgoć.	Drzwi były zbyt długo otwarte.	Ogranicz otwieranie drzwi

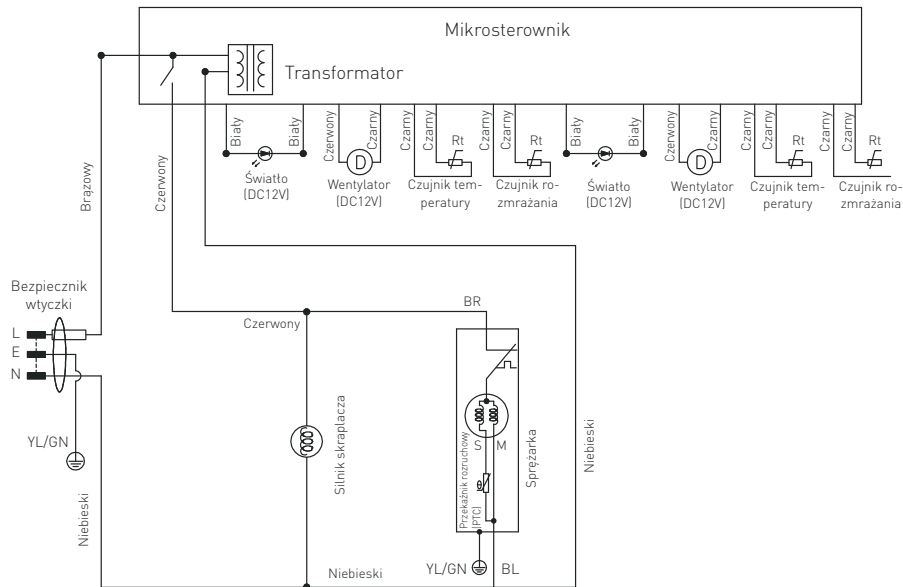
Specyfikacja techniczna

Nr produktu	233221	233245
Napięcie robocze i częstotliwość	220-240V- 50Hz	
Znamionowy pobór mocy	45W	120W
Prąd znamionowy	0,5 A	1,0 A
Zakres temperatury	5°C do 20°C	
Klasa ochronności	Klasa I	
Moc światła	4W	
Poziom hałasu	< 60 dB (A)	
Czynnik chłodniczy / ilość wtryskiwanego czynnika	R600a / 30g	R600a / 55g
Klasa energetyczna	G	
Porofor izolacji	Cyklopentan	
Klasa klimatyczna	N-ST (16°C do 38°C)	
Ilość stref temperaturowych	2	
Pojemność	144L	424L
Pojemność - liczba przechowywanych butelek	43 ~ 44 butelki	165 ~ 166 butelki
Ilość półek	5	14
Waga netto (ok.)	55 kg	106 kg
Wymiary	596 x 654 x (wys.) 855 mm	595 x 720 x (wys.) 1820 mm

Uwaga: Specyfikacja techniczna może ulec zmianie bez uprzedzenia.

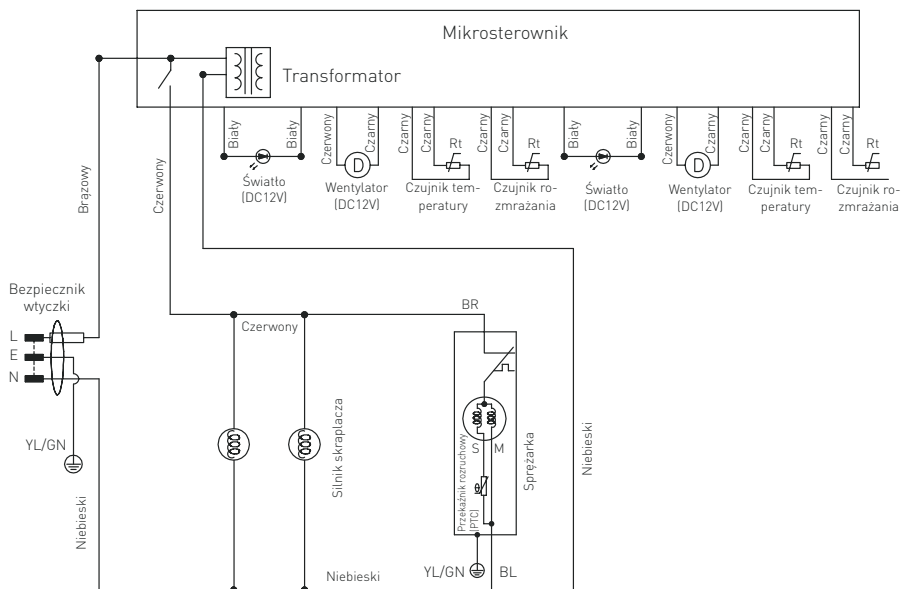
Schemat elektryczny

Nr produktu: 233221



PL

Nr produktu: 233245



Gwarancja

Każda usterka powodująca zte funkcjonowanie urządzenia, która ujawni się w ciągu jednego roku od zakupu, zostanie bezpłatnie usunięta lub urządzenie zostanie wymienione na inne, pod warunkiem, że było użytkowane i konserwowane zgodnie z instrukcją obsługi i nie było wykorzystywane do innych celów lub w jakikolwiek inny niewłaściwy sposób. Nie narusza to innych praw użytkownika, wynikających z przepisów prawa. W przypadku ko-

rzystania z gwarancji, należy podać miejsce i czas zakupu urządzenia, dotychczas do niego dowód zakupu (np. paragon).

Zgodnie z naszą polityką ciągłego udoskonalania produktów zastrzegamy sobie prawo do wprowadzania zmian w produkcie, opakowaniu oraz specyfikacjach zawartych w dokumentacji bez uprzedniego powiadomienia.

Wycofanie z użytkowania i ochrona środowiska

Pamiętaj!

Nie wyrzucaj zużytego sprzętu łącznie z innymi odpadami

Nie demontuj zużytych urządzeń zawierających niebezpieczne składniki na własną rękę!

Grożą Ci za to kary grzywny!

Po zakończeniu eksploatacji produktu nie wolno gromadzić razem z odpadami komunalnymi, tylko należy odstawić do punktu odbioru odpadów elektrycznych i elektronicznych. Użytkownik ponosi odpowiedzialność za przekazanie wycofanego z użytkowania urządzenia do punktu gospodarowania odpadami. Nieprzestrzeganie tej zasady może być karane zgodnie z lokalnie obowiązującymi przepisami dotyczącymi gospodarowania odpadami. Jeśli urządzenie wycofane z użytkowania jest poprawnie odebrane jako osobny odpad, może zostać przetworzone i zutylizowane w sposób przyjazny dla środowiska, co zmniejsza negatywny wpływ na środowisko i zdrowie ludzi. Aby uzyskać więcej informacji dotyczących dostępnych usług w zakresie odbioru odpadów, należy skontaktować się z lokalną firmą odbierającą odpady.



Symbol przekreślonego kosza na śmieci oznacza, że tego produktu nie wolno wyrzucać do zwykłych pojemników na odpady.

Zużyte urządzenia elektryczne i elektroniczne mogą zawierać niebezpieczne składniki np. rtęć, ołów, kadm lub freon. Jeśli tego typu substancje przedostaną się w sposób niekontrolowany do środowiska, spowodują skażenie wody i gleby, a także wptyną niekorzystnie na zdrowie ludzi i zwierząt.


Właściwe postępowanie ze zużytym sprzętem zapobiega potencjalnym negatywnym konsekwencjom dla środowiska naturalnego i ludzkiego zdrowia.

Jednocześnie oszczędzamy naturalne zasoby naszej Ziemi wykorzystując powtórnie surowce uzyskane z przetwarzania sprzętu.

Cher client,


Merci d'avoir acheté cet appareil de Arktic. Veuillez lire attentivement ce mode d'emploi avant de brancher l'appareil afin d'éviter tout endommagement pour cause d'usage abusif. Veuillez notamment lire les consignes de sécurité avec la plus grande attention.

Règles de sécurité

- Cet appareil est destiné pour des buffets et à un usage domestique.
- L'appareil doit être utilisé uniquement pour le but il a été conçu. Le fabricant décline toute responsabilité en cas de dommage consécutif à un usage abusif ou un maniement incorrect.
- Veillez à tenir l'appareil et la prise électrique hors de portée de l'eau ou de tout autre liquide. Si malencontreusement l'appareil tombe dans l'eau, débranchez immédiatement la prise électrique et faites contrôler l'appareil par un réparateur agréé. La non-observation de cette consigne entraîne un risque d'accident mortel.
- Ne tentez jamais de démonter vous-même le bâti de l'appareil.
- N'enfoncez aucun objet dans la carcasse de l'appareil.
- Ne touchez pas la prise avec les mains mouillées ou humides.
-  **Risque d'électrocution!** Ne tentez jamais de réparer l'appareil. Tous défauts et dysfonctionnement doivent être supprimés par le personnel qualifié.
- **N'utilisez jamais l'appareil endommagé!** Débranchez l'appareil endommagé de l'alimentation électrique et contactez votre revendeur.
- **Avertissement:** N'immergez pas les pièces électriques de l'appareil dans l'eau ou dans d'autres liquides. Ne mettez pas l'appareil sous l'eau courante.
- Vérifiez régulièrement la fiche et le câble d'alimentation pour les dommages. La fiche ou le câble d'alimentation endommagé(e) transmettre pour la réparation au service ou à une personne qualifiée, pour prévenir tous les menaces ou les blessures possibles.
- Assurez-vous que le câble d'alimentation n'est pas en contact avec les objets pointus ou chauds ; gardez le câble loin des flammes nues. Pour retirer la fiche de la prise murale, tirez toujours en tenant la fiche et non le câble d'alimentation.
- Protégez le câble d'alimentation (ou la rallonge) contre le débranchement accidentel de la prise murale. Le câble doit être posé de manière ne provoquant pas les chutes accidentelles.
- Surveillez en permanence l'appareil pendant l'utilisation.
- **Avertissement!** Si la fiche est insérée dans la prise murale, l'appareil doit être considéré comme branché à l'alimentation.
- Avant de retirer la fiche de la prise, éteignez l'appareil !
- Ne transportez jamais l'appareil en tenant le câble.
- N'utilisez aucuns accessoires qui n'ont pas été fournis avec l'appareil.
- L'appareil doit être branché à la prise murale avec une tension et la fréquence indiquées sur la plaque signalétique.

- Insérez la fiche à la prise murale située dans un endroit facilement accessible de sorte qu'en cas de panne l'appareil puisse être immédiatement déconnecté. Pour éteindre complètement l'appareil, débranchez-le de la source d'alimentation. Pour cela, retirez la fiche à l'extrémité du câble d'alimentation de la prise murale.
- Eteignez l'appareil avant de débrancher l'appareil de la prise!
- N'utilisez jamais les accessoires non recommandés par le fabricant. L'utilisation des accessoires non recommandés peut présenter des risques pour l'utilisateur et provoquer les dommages à l'appareil. Utilisez uniquement des pièces et accessoires originaux.
- Cet appareil n'est pas apte à être utilisé par des personnes (enfants compris) avec capacités physiques, sensorielles ou intellectuelles diminuées ou ne possédant pas l'expérience et les connaissances suffisantes.
- Ne laissez jamais les enfants utiliser l'appareil.
- L'appareil et le câble d'alimentation doivent être stockés hors de la portée des enfants.
- Ne permettez pas aux enfants d'utiliser l'appareil pour jouer
- Débranchez toujours l'appareil de l'alimentation s'il doit être laissé sans surveillance et également avant le montage, le démontage et le nettoyage.
- Ne laissez jamais l'appareil sans surveillance lorsqu'il est utilisé.

Consignes de sécurité spéciales

- Utilisez l'appareil uniquement conformément aux présentes instructions.
-  **Attention ! Danger d'incendie!** Dans l'appareil le réfrigérant R600a est utilisé. Ce réfrigérant n'est pas nocif pour la couche d'ozone et n'a aucun impact sur l'effet de serre. L'utilisation de ce type de réfrigérant conduit à une légère augmentation du niveau de bruit émis par l'appareil. Sauf le bruit généré par le compresseur, l'utilisateur peut entendre le son provoqué par le flux du réfrigérant. Ce phénomène ne peut pas être évité mais il n'a aucun effet négatif sur le fonctionnement de l'appareil. Pendant le transport et le positionnement de l'appareil faites une attention particulière pour ne pas endommager les composants du système de réfrigération. Une fuite de réfrigérant peut entraîner les lésions oculaires.
- L'isolant, qui a été utilisé dans cet appareil, est du Cyclopentane. Une substance hautement inflammable.
- La température ambiante dans l'endroit d'utilisation de l'appareil doit être comprise entre 16 et 38 ° C.
- Ne placez pas l'appareil sur un objet émettant de la chaleur (cuisinière à gaz, cuisinière électrique, barbecue, etc.). Gardez l'appareil à l'écart de toute surface chaude ou des flammes nues. L'appareil doit être installé et utilisé sur une surface plane, stable, propre et sèche, résistant aux températures élevées.
- N'utilisez pas l'appareil à proximité de matériaux explosifs ou inflammables, de cartes de paiement, de disques magnétiques ou de radios.
- L'appareil n'est pas conçu pour être utilisé avec une minuterie externe ou un système de télécommande séparé.

- **AVERTISSEMENT** : Ne couvrez pas les ouvertures de ventilation sur le boîtier.
- **AVERTISSEMENT** : N'utilisez pas d'appareils mécaniques ou d'outils autres que ceux recommandés par le fabricant pour accélérer le processus de dégivrage.
- **AVERTISSEMENT** : Faites attention à ne pas endommager le circuit du réfrigérant.
- Assurez au moins 10 centimètres d'espace autour de l'appareil pour garantir une ventilation adéquate pendant l'utilisation.
- Ne lavez pas l'appareil avec de l'eau ou un jet d'eau puissant. Le lavage de l'appareil peut provoquer la pénétration de l'eau dans des composants électriques et entraîner un choc électrique.
- **Attention !** Faites passer et fixez correctement le câble d'alimentation pour éviter une traction accidentelle ou un contact avec la surface chauffée.
- Ne nettoyez pas et ne placez pas l'appareil dans un lieu de stockage jusqu'à ce qu'il ne soit pas complètement refroidi.
- Gardez la clé hors de la portée des enfants.
- L'appareil ne doit pas être incliné à un angle supérieur à 5°. Après l'installation de l'appareil, attendez 2 heures avant de connecter l'appareil à une source d'alimentation et avant de le mettre en marche. Cette recommandation vaut également lorsque l'appareil est déplacé dans un autre endroit.

Destination de l'appareil

- Cet appareil est destiné pour des buffets et à un usage domestique.
- L'appareil est destiné uniquement au stockage et au refroidissement du vin (par exemple, champagne, vin blanc et rouge, etc.). L'utilisation de l'appareil à d'autres fins peut entraîner des dommages ou des blessures.
- L'utilisation de l'appareil à d'autres fins sera considérée comme une utilisation inappropriée. L'utilisateur sera seul responsable de l'utilisation incorrecte de l'appareil.

Mise à la terre

La cuisinière est un appareil de la 1ère classe de protection et doit être obligatoirement mis à la terre. La mise à la terre réduit le risque de choc électrique grâce à un conduit évacuant le courant

électrique. L'appareil est équipé d'un conduit avec la mise à la terre et la prise de terre. N'insérez pas la fiche à la prise murale si l'appareil n'a pas été correctement installé et mis à la terre.

Parties principales de l'appareil

1. Boîtier
2. Panneau de commande tactile (Voir ==> Fonctionnement)
3. Protection de la charnière supérieure
4. Cadre de la porte
5. Étagères en bois (5 étagères pour le modèle 233221, 14 pour le modèle 233245)
6. Protection de la charnière inférieure
7. Ouvertures de ventilation
8. Trou pour la clé pour fermer la porte de l'appareil
9. Poignée de la porte
10. Kit de montage anti-basculement : 2 supports, 2 vis, 4 entretoises métalliques.



Instruction pour une installation

- Retirez l'appareil de la boîte en carton, retirez l'emballage intérieur et extérieur et la sécurité.
- Vérifiez si l'appareil est endommagé. En cas de livraison incomplète ou de dommage, NE PAS utiliser l'appareil et contactez le fournisseur (voir ==> Garantie).
- Laissez l'appareil en position verticale pendant environ 2 heures. Cette opération vise à réduire toutes irrégularités dans le fonctionnement du système de refroidissement en cas de mauvaise manipulation de l'appareil pendant le transport.
- Lavez les surfaces extérieures avec un chiffon doux et de l'eau tiède. (Voir ==> Nettoyage et entretien).
- Placez l'appareil sur une surface plane et stable, résistante aux hautes températures et aux projections d'eau.
- La température ambiante de travail doit être comprise entre 16 ° C et 32 ° C. Sinon, il est possible que l'appareil ne fonctionne pas correctement.
- Assurez une ventilation adéquate. Prévoyez un espace d'au moins 10 cm autour de l'appareil. Ne couvrez pas les ouvertures de ventilation.
- Pour économiser de l'énergie tenez toujours la porte fermée.

FR

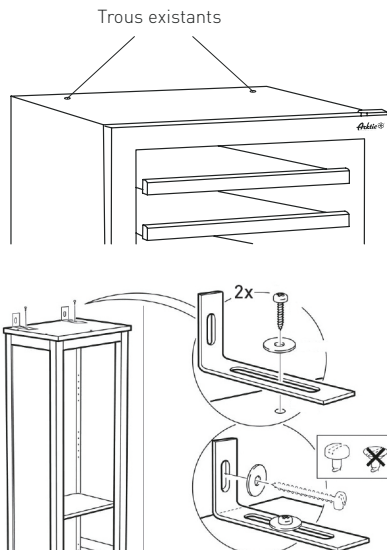
Installation des supports anti-basculement (uniquement le modèle 233245)

REMARQUE : Veuillez utiliser le tournevis cruciforme correspondant pour l'installation.

Avant l'installation: Vérifiez que le support mural n'est pas endommagé et contrôlez l'intégralité des kits de montage. NE l'installez PAS en cas de pièces manquantes ou endommagées.

AVERTISSEMENT: Le renversement du refroidisseur à vin peut provoquer des accidents. Pour éviter le renversement de ce refroidisseur, il doit être fixé au mur à l'aide des supports qui l'accompagnent. Voir l'illustration pour les détails d'installation.

Les attaches murales ne sont pas incluses, car les types d'attaches varient en fonction des éléments de fixation. Utilisez du matériel de fixation qui correspond à vos murs. Pour obtenir des conseils sur les éléments de fixation appropriés, contactez votre revendeur spécialisé local.



Fonctionnement

L'appareil se compose de deux zones séparées. « LA ZONE SUPÉRIEURE » et « LA ZONE INFÉRIEURE » sont contrôlées séparément à l'aide du panneau de commande [2].



Réglage de la température et écran d'affichage

- Connectez l'appareil à une prise électrique appropriée ; « 888 » clignotera sur l'écran pendant quelques secondes et un signal sonore retentira - l'appareil fonctionnera selon les réglages d'usine.
- Ensuite, la température de la zone supérieure et inférieure (U2 / L2) apparaîtra à l'écran.
- Ensuite réglez la température pour chaque zone « + » ou « - » (U1/L1) [Plage : 41°F (5°C) jusqu'au 68°F(20°C)]. La température de la zone peut varier de +/- 5°F (+/- 3°C) par rapport au réglage de la température en fonction du nombre de bouteilles stockées et de la température ambiante.

Interrupteur ON/OFF

- Appuyez sur le bouton S1 et maintenez-le enfoncé pendant 3 à 4 secondes pour allumer ou éteindre l'appareil.
- Lorsque l'appareil est éteint, les deux affichages (U2 et L2) s'éteignent.

Éclairage intérieur

- Appuyez sur le bouton U3 ou L3 pour allumer la lumière dans la ZONE SUPÉRIEURE ou INFÉRIEURE.
- Appuyez encore une fois sur le bouton U3 ou L3 pour éteindre la lumière dans la ZONE SUPÉRIEURE ou INFÉRIEURE.
- L'éclairage intérieur ne s'éteindra pas s'il n'est pas éteint manuellement.

Changement de l'unité de température

- L'unité de température peut être changée de degrés Celsius (° C) en degrés Fahrenheit (° F) et vice versa en utilisant le bouton (T1).

Mode de verrouillage

- Si vous n'appuyez sur aucun bouton de « verrouillage » pendant 15 secondes, l'appareil activera automatiquement le mode de « verrouillage ». Dans ce mode il est possible de modifier les paramètres de l'appareil jusqu'à ce que le verrouillage soit désactivé.

- Pour désactiver le mode de verrouillage appuyez sur le bouton U1 et maintenez-le (appuyez simultanément sur les boutons « + » ou « - » et maintenez-les pendant quelques secondes). Le mode de verrouillage sera désactivé.

Remarque : La porte de l'appareil peut être fermée à clé (le trou se trouve au bas de l'appareil - (8)) (la clé est attachée à l'appareil)

Codes d'erreur affichés

Codes d'erreur visibles sur l'écran d'affichage (U2/L2).	Cause possible	Solution proposée
Le message „E0” clignote	Erreur de connexion, le cordon d'alimentation ou une partie de l'appareil mal connecté(e).	Contactez votre fournisseur.
Le message „E1” clignote	Erreur de fonctionnement du capteur de température dans la zone appropriée.	Contactez votre fournisseur.
“Le message „E2” clignote	Erreur de fonctionnement du capteur de dégivrage dans la zone appropriée.	Contactez votre fournisseur.

La température optimale pour servir du vin

Température	Type de vin	Catégorie de vin
18°C (65°F)	Riche, intense, goût de chêne, poivre	Bordeaux, Cabernet Sauvignon, Shiraz
17°C (63°F)	Rouge	Barolo, Burgundy Grand Cru
16°C (61°F)	Vins rouges moyens ou légers	Rioja, Pinot Noir, CDP
15°C (59°F)		Chianti, Zinfandel
14°C (57°F)		Chinon, Port, Madeira
13°C (55°F)		Dolcetto, Côtes Du Rhône
12°C (54°F)	Vins rouges juteux et fruités	Beaujolais, Valpolicella
11°C (52°F)	Vins blanc forts/de chêne	Bourgogne blanc
10°C (50°F)	Vins moyens ou légers	Chardonnay, Sauternes
9°C (48°F)	Vins blancs	Sauvignon Blanc, Chablis
8°C (47°F)	Vins doux et mousseux	Champagne vintage
7°C (45°F)		
6°C (43°F)		Champagne NV, Prosecco,Cava,Asti

Attention : Les données ci-dessus sont présentée uniquement à titre informatif.

Nettoyage et entretien

Attention: Avant le nettoyage et l'entretien de l'appareil, débranchez l'appareil de la source d'alimentation en retirant la fiche de la prise électrique et attendez jusqu'à ce que l'appareil refroidisse complètement.

Nettoyage

- Lavez l'appareil avant et après chaque utilisation.
- N'immergez jamais l'appareil dans l'eau ou dans d'autres liquides.
- Ne nettoyez pas l'appareil avec un jet d'eau.
- Nettoyez la surface de l'appareil avec un chiffon ou une éponge humide, avec une petite quantité de détergent doux.
- Nettoyez toutes les parties de l'appareil avec de l'eau pour éliminer tout résidu d'agent de nettoyage.
- N'utilisez pas d'éponges abrasives, de détergents, de laine d'acier ou d'ustensiles en métal pour nettoyer les éléments à l'intérieur ou l'extérieur de l'appareil.
- Séchez les surfaces intérieures et extérieures de l'appareil avec un chiffon doux immédiatement après le lavage.

Stockage

- Assurez-vous toujours que l'appareil a été débranché de la prise d'alimentation et qu'il a complètement refroidi avant de le placer dans une zone de stockage.
- Gardez l'appareil dans un endroit frais, propre et sec.

Transport

- Débranchez l'appareil de la source d'alimentation en débranchant la prise électrique.
- Retirez toutes les bouteilles de vin de l'appareil.
- Protégez toutes les pièces non fixées à l'intérieur de l'appareil avec du ruban.
- Fermez la porte.
- L'appareil doit être transporté par au moins 2 personnes.

Résolution des problèmes

Si l'appareil ne fonctionne pas correctement, reportez-vous au tableau ci-dessous pour y trouver une solution. Si vous n'arrivez toujours pas à résoudre le problème, contactez votre distributeur/fournisseur.

Problème	Cause possible	Solution proposée
L'appareil est connecté à une source d'alimentation, mais il ne démarre pas.	La fiche n'est pas correctement connectée à la source d'alimentation.	Vérifiez que la fiche est correctement connectée à la source d'alimentation.
	L'interrupteur de surcharge s'est activé ou le fusible est défectueux.	Contactez votre fournisseur.
La température à l'intérieur de l'appareil est trop élevée	La température réglée est trop élevée	Réglez la température inférieure.
	La porte était ouverte trop longtemps	Limitez l'ouverture de la porte.
	Le joint d'étanchéité de la porte ne fonctionne pas correctement	Assurez-vous que le joint assure que la porte est correctement fermée.
L'humidité est accumulée sur les parois internes de l'appareil.	La porte était ouverte trop longtemps	Limitez l'ouverture de la porte.

Caractéristiques techniques

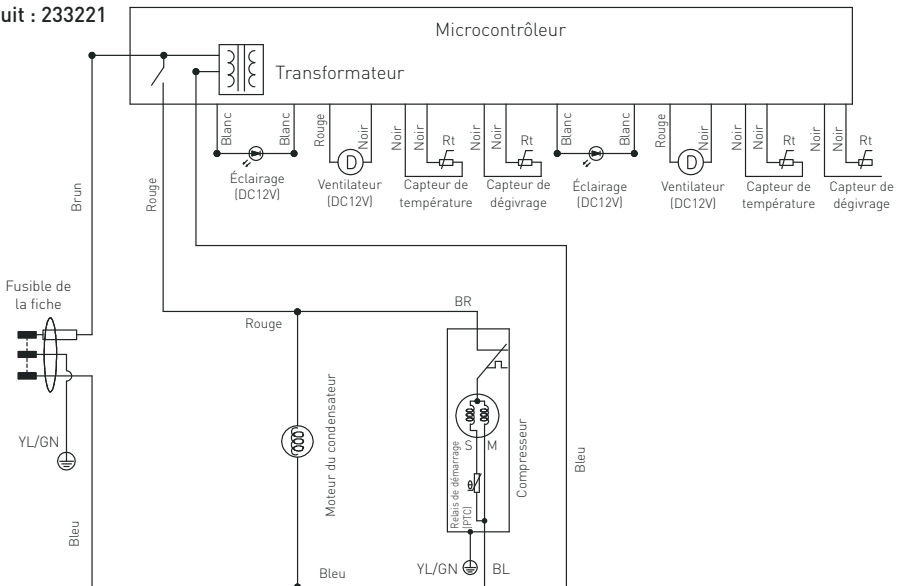
Produit numéroté	233221	233245
Tension et fréquence	220-240V~ 50Hz	
Consommation d'énergie nominale	45W	120W
Courant nominal	0,5 A	1,0 A
Plage de température	5°C à 20°C	
Classe de protection	Classe I	
Puissance de l'éclairage	4W	
Niveau sonore	< 60 dB (A)	
Réfrigérant / quantité de réfrigérant	R600a / 30g	R600a / 55g
Classe énergétique	G	
Agent d'expansion inflammable	Cyclopentane	
Classe climatique	N-ST (16°C à 38°C)	
Nombre de zone de température	2	
Capacité	144L	424L
Capacité – nombre de bouteilles stockées	43 ~ 44 bouteilles	165 ~ 166 bouteilles
Nombre d'étagères	5	14
Poids net (env.)	55 kg	106 kg
Dimensions	596 x 654 x (hauteur) 855 mm	595 x 720 x (hauteur) 1820 mm

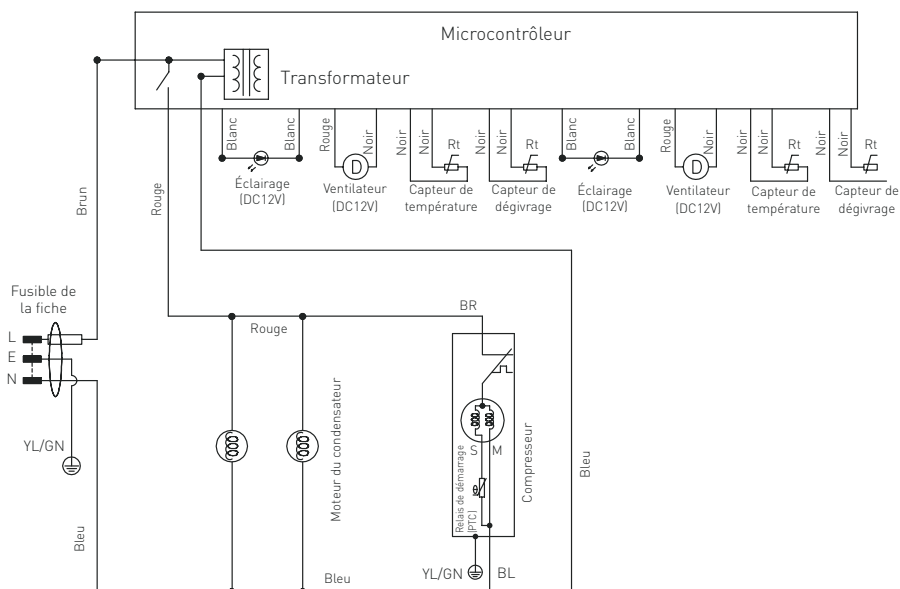
FR

Remarque : Les caractéristiques techniques peuvent être modifiées sans préavis.

Schéma électrique (Produit : 233221 & 233245)

Produit : 233221





Garantie

Tout vice ou toute défaillance entraînant un dysfonctionnement de l'appareil qui se déclare dans les 12 mois suivant la date de l'achat sera éliminé à titre gratuit ou l'appareil sera remplacé par un appareil nouveau si le premier a été dûment exploité et entretenu conformément aux termes de la notice d'exploitation et s'il n'a pas été indûment exploité ou de manière non conforme à sa destination. La présente stipulation ne porte pas de préjudice aux autres droits de l'utilisateur prévus par les dispositions légales. Dans le cas où l'appareil est donné à la réparation ou doit être remplacé

dans le cadre de la garantie, il y a lieu de spécifier le lieu et la date de l'achat de l'appareil et produire un justificatif nécessaire (par ex. facture ou ticket de caisse).

Conformément à notre politique d'amélioration permanente de nos produits, nous nous réservons le droit d'introduire sans avertissement préalable des modifications à l'appareil, à l'emballage et aux caractéristiques techniques précisées dans la documentation.

Élimination et protection de l'environnement


En cas de retrait du produit de l'exploitation l'appareil ne peut pas être jeté avec d'autres déchets ménagers. L'utilisateur est responsable de la remise de l'équipement au point de collecte approprié pour l'équipement usagé. Le non-respect des dispositions ci-dessus peut entraîner les pénalités conformément à la réglementation applicable en matière d'élimination des déchets. La collecte sélective et le recyclage des équipements usagés contribuent à la conservation des ressources na-

turelles et assurent un recyclage sans danger pour la santé et l'environnement. Pour plus d'informations sur les endroits de collecte des équipements usagés pour le recyclage, contactez la société de collecte des déchets locale. Le producteur et l'importateur ne sont pas responsables du recyclage et du traitement des déchets d'une manière respectueuse de l'environnement directement et dans le système public.

Gentile cliente,

grazie per aver acquistato questo apparecchio Arctic. Ti invitiamo a leggere queste istruzioni per l'uso con attenzione prima di collegare l'apparecchio al fine di evitare danni dovuti a uso improprio. Ti invitiamo inoltre a prestare particolare attenzione alle precauzioni di sicurezza.

Precauzioni di sicurezza

- Questo apparecchio è destinato al buffet e all'uso domestico.
- L'apparecchio può essere utilizzato solo per lo scopo per cui è stato concepito e progettato. Il produttore non è responsabile di eventuali danni provocati da uso scorretto ed improprio.
- Tenere l'apparecchio e la spina elettrica lontani da acqua ed altri liquidi. Nel caso improbabile che l'apparecchio cada in acqua, staccare immediatamente la spina dalla presa e fare ispezionare l'apparecchio da un tecnico certificato. L'inosservanza delle presenti istruzioni può dare luogo a situazioni pericolose
- Non provare mai ad aprire l'involucro dell'apparecchio da soli.
- Non inserire oggetti nell'involucro dell'apparecchio.
- Non toccare la presa con le mani bagnate o umide.
-  **Pericoli di scosse elettriche!** Non tentare di riparare l'apparecchio da solo. Eventuali difetti e malfunzionamenti devono essere rimossi soli da personale qualificato.
- **Non usare l'apparecchio danneggiato!** L'apparecchio difettoso deve essere immediatamente scollegato dalla rete e contattare il rivenditore.
- **Attenzione:** Non immergere parti elettriche in acqua o altri liquidi. Non mettere l'apparecchio sotto l'acqua corrente.
- Controllare regolarmente se la spina e il cavo di alimentazione non sono danneggiati. La spina o il cavo danneggiati trasmettere al servizio o alla persona qualificare per riparare, per evitare eventuali pericoli e lesioni.
- Assicurarsi che il cavo di alimentazione non è in contatto con oggetti appuntiti o caldi. Tenere il cavo lontano da fiamme libere. Per scollegare la spina dalla presa, tirare sempre la spina, mai il cavo.
- Proteggere il cavo di alimentazione (o di estensione) per la sconnessione accidentale dalla presa. Disporre il cavo in modo per evitare lo slittamento accidentale.
- Sorvegliare l'apparecchio continuamente durante l'uso.
- **Attenzione!** Se la spina è inserita nella presa, l'apparecchio è considerato come collegato.
- Prima di rimuovere la spina dalla presa, spegnere l'apparecchio!
- Non trasportare l'apparecchio tenendo il cavo di alimentazione.
- Non utilizzare qualsiasi accessorio che non è stato fornito con l'apparecchio.
- L'apparecchio deve essere collegato ad una presa con tensione e frequenza indicate sulla targhetta.
- Inserire la spina nella presa situata in un punto facilmente accessibile in modo che in caso di guasto sia possibile scollegare immediatamente l'apparecchio. Per spegnere

completamente l'apparecchio, scollegarlo dalla presa di corrente. Per questo staccare la spina che si trova sull'estremità del cavo di alimentazione.

- Prima di scollegare la spina, ricordarsi sempre di spegnere l'apparecchio!
- Non usare gli accessori non raccomandati dal produttore. L'uso di accessori non raccomandati può creare i rischi per l'utente e provocare i danni all'apparecchio. Usare unicamente solo pezzi ed accessori originali.
- L'installazione elettrica deve soddisfare le normative nazionali e locali applicabili. Questo apparecchio non è destinato all'uso da parte di persone (inclusi i bambini) con capacità fisiche, sensoriali o mentali ridotte, o senza esperienza e conoscenza.
- Non permettere ai bambini di utilizzare l'apparecchio.
- Tenere l'apparecchio con il cavo fuori dalla portata dei bambini.
- Non permettere ai bambini di giocare con l'apparecchio.
- Scollegare l'apparecchio dalla rete se esso deve essere lasciato incustodito e prima del montaggio, dello smontaggio o della pulizia.
- Non lasciare l'apparecchio incustodito durante l'utilizzazione.

Norme di sicurezza speciali

- Utilizzare il dispositivo solo in conformità con queste istruzioni.
-  **Attenzione ! Pericolo d'incendio!** Il refrigerante R600a è utilizzato nel dispositivo. È un gas infiammabile e sicuro per l'ambiente. Non è nocivo per lo strato di ozono e non ha alcun impatto sull'effetto serra. Però, l'uso di questo refrigerante provoca un leggero aumento del livello di rumore emesso dal dispositivo. Oltre al rumore generato dal compressore l'utente può sentire anche il rumore causato dal flusso di refrigerante. Il fenomeno sopra descritto non può essere evitato e non ha alcun effetto negativo sul funzionamento del dispositivo. Durante il trasporto e il posizionamento del dispositivo, si deve prestare particolare attenzione a non danneggiare alcuna parte del sistema di refrigerazione. La perdita di refrigerante può causare danni agli occhi.
- Nel dispositivo è utilizzato un agente schiumogeno (per schiumar la schiuma isolante) Ciclopentano. È un agente altamente infiammabile.
- La temperatura ambiente nel luogo di utilizzo del dispositivo deve essere compresa tra 16 °C e 38 °C.
- Non posizionare l'apparecchio su fonti di calore (fornello a gas, elettrico, grill ecc.). Evitare di tenere l'apparecchio vicino a fiamme libere. Il dispositivo deve trovarsi su una superficie piana, stabile, pulita, asciutta e resistente ad alte temperature.
- Non utilizzare materiali esplosivi o infiammabili, carte di credito, dischi magnetici o radio.
- Il dispositivo non è progettato per essere utilizzato con timer esterno o telecomando separato.
- **AVVERTENZA:** Non coprire le aperture di ventilazione dell'apparecchio.
- **AVVERTENZA:** Non utilizzare dispositivi meccanici o strumenti diversi da quelli consigliati dal fabbricante per accelerare il processo di scongelamento.
- **AVVERTENZA:** Prestare attenzione a non danneggiare il circuito del refrigerante.

- Mantenere uno spazio di almeno 10 centimetri attorno al dispositivo per garantire la ventilazione durante l'uso.
- Non pulire il dispositivo con un getto d'acqua sotto pressione o un pulitore a vapore, non risciacquare il dispositivo con acqua per evitare qualsiasi l'inumidimento o l'umidità del dispositivo, e il rischio di scosse elettriche.
- **Attenzione!** Far passare e proteggere il cavo di alimentazione per evitare di strappare accidentalmente o per evitare il contatto con la superficie riscaldata.
- Non pulire o posizionare il dispositivo in un luogo di conservazione se non si è completamente raffreddato.
- Tenere la chiave della porta fuori dalla portata dei bambini.
- L'apparecchio non deve essere inclinato di un angolo maggiore di 5°. Dopo l'installazione aspettare due ore prima di collegarlo ad una fonte di alimentazione e avviarlo. Questa raccomandazione si applica anche quando l'apparecchio è successivamente spostato in un altro luogo.

Destinazione del dispositivo

- Questo apparecchio è destinato al buffet e all'uso domestico.
- Il dispositivo è destinato esclusivamente alla conservazione e al raffreddamento del vino (per es. champagne, vino bianco e rosso, ecc.). L'uso del dispositivo per qualsiasi altro scopo può causare danni o lesioni.
- L'uso del dispositivo per qualsiasi altro scopo sarà considerato un uso improprio. L'utente sarà l'unico responsabile per l'uso scorretto del dispositivo.

Messa a terra

Il fornello è l'apparecchio della I classe di protezione e deve essere messo a terra. La messa a terra riduce il rischio di scosse elettriche grazie al cavo evacuante il corrente elettrico. L'apparecchio è do-

tato di un cavo con una messa a terra. Non inserire la spina nella presa di corrente se l'apparecchio non è stato correttamente installato o messo a terra.

Parti principali del dispositivo

1. Involucro
2. Pannello di controllo tattile (Vedere ==> Funzionamento)
3. Protezione della cerniera superiore
4. Telaio della porta
5. Ripiani di legno (5 ripiani per il modello 233221, 14 per il modello 233245)
6. Protezione della cerniera inferiore
7. Fori di ventilazione
8. Buco perla chiave per chiudere la porta del dispositivo
9. Maniglia della porta
10. Kit di montaggio antiribaltamento: 2 staffe, 2 viti, 4 distanziali metallici.



Informazione per l'installazione

- Rimuovere il dispositivo dalla scatola di cartone, ritirare l'imballaggio interno ed esterno e le protezioni.
- Controllare se il dispositivo è danneggiato. In caso di consegna incompleta o danni, NON utilizzare il dispositivo. Contattare il fornitore (vedere ==> Garanzia).
- Lasciare il dispositivo in posizione verticale per circa 2 ore. Questa operazione dovrebbe ridurre le irregolarità nel funzionamento del sistema di raffreddamento in caso di spostamento improprio del dispositivo durante il trasporto.
- Lavare le superfici esterne con un panno morbido imbevuto di acqua tiepida. (Vedere ==> Pulizia e manutenzione).
- Collocare il dispositivo su una superficie piana e stabile resistente alle alte temperature e agli schizzi d'acqua.
- La temperatura ambiente di lavoro deve essere compresa tra 16 ° C e 32 ° C, altrimenti il dispositivo potrebbe non funzionare correttamente.
- Assicurare un'adeguata ventilazione. Fornire almeno uno spazio di 10 cm attorno al dispositivo. Non coprire le fori di ventilazione.
- Per risparmiare energia, tenere sempre la porta sia chiusa.

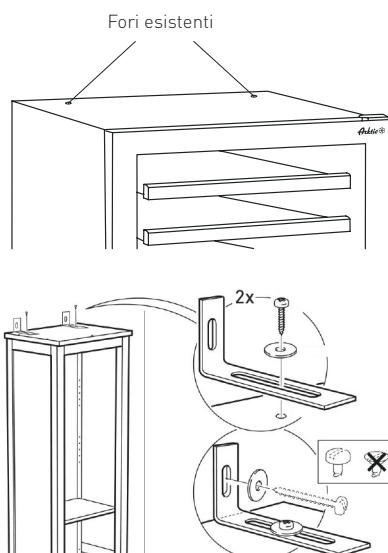
Installazione delle staffe antiribaltamento (solo il modello 233245)

NOTA: Usare il cacciavite a croce corrispondente per l'installazione.

Prima dell'installazione: Controllare che il supporto murale non presenti danni e che i kit di montaggio sono completi. NON installare se si riscontrano mancanze o danni.

AVVERTENZA: Il ribaltamento della cantinetta può causare incidenti. Per evitare che la cantinetta si ribalti, dev'essere fissata alla parete con le staffe in dotazione. Consultare l'illustrazione per i dettagli di installazione.

I tasselli da parete non sono inclusi in quanto materiali diversi richiedono tipi di tasselli diversi. Utilizzare materiali di fissaggio adatti per le proprie pareti. Per consigli sui fissaggi più adatti, contattare il rivenditore specializzato di zona.



Funzionamento

Il dispositivo è costituito da due zone separate. Il controllo della "ZONA SUPERIORE" e della "ZONA INFERIORE" del dispositivo è effettuato separatamente tramite il pannello di controllo (2).



Impostazione della temperatura e display

- Collegare il dispositivo a una presa elettrica adeguata; il display lampeggerà emettendo un messaggio "888" per alcuni secondi e verrà emesso un segnale acustico - il dispositivo funzionerà secondo le impostazioni di fabbrica.
- Poi, sul display apparirà la temperatura della zona superiore e inferiore (U2/L2).
- Quindi impostare la temperatura per ogni zona utilizzando i pulsanti "+" o "-" (U1/L1) [Intervallo: 41°F (5°C) a 68°F (20°C)]. La temperatura della zona può variare di +/- 5°F (+/- 3°C) rispetto all'impostazione della temperatura in base al numero di bottiglie memorizzate e alla temperatura ambiente.

Interruttore ON/OFF

- Premere e tenere premuto il pulsante S1 per 3 - 4 secondi per accendere o spegnere il dispositivo.
- Dopo aver spento il dispositivo entrambi i display (U2 i L2) si spengono.

Luce interna

- Premere il pulsante U3 o L3 per accendere la luce nella ZONA SUPERIORE o INFERIORE.
- Premere ancora una volta il pulsante U3 o L3 per spegnere la luce nella ZONA SUPERIORE o INFERIORE.
- La luce interna non si spegne se non viene spenta manualmente.

Cambio dell'unità di temperatura

- The temperature display can be changed between Celsius (°C) and Fahrenheit (°F) by pressing the button (T1).

Modalità di blocco

- Se non viene premuto alcun pulsante per 15 secondi, il dispositivo attiverà automaticamente la modalità di "blocco". In questa modalità, non sarà possibile modificare le impostazioni del dispositivo finché il blocco non sarà disabilitato.
- Per disattivare la modalità di blocco, premere e tenere premuto il pulsante U1 (premere contemporaneamente i pulsanti "+" e "-" e tenere premuto per alcuni secondi). La modalità di blocco verrà disattivata.

Nota: la porta del dispositivo può essere chiusa con una chiave (il buco si trova nella parte inferiore del dispositivo - (8)) (la chiave è collegata al dispositivo)

Codici di errore visualizzati

Codici di errori visualizzati sul display (U2/L2).	Causa possibile	Soluzione proposta
Messaggio „E0” lampeggia	Errore di connessione, cavo o parte del dispositivo sono collegati in modo errato.	Contattare il fornitore.
Messaggio „E1” lampeggia	Errore di funzionamento del sensore di temperatura nella zona appropriata.	Contattare il fornitore.
Messaggio „E2” lampeggia	Errore di funzionamento del sensore di sbrinamento nella zona appropriata	Contattare il fornitore.

La temperatura ottimale per servire vino

Temperatura	Tipo di vino	Categoria di vino
18°C (65°F)	Ricco, intenso, gusto di rovere, pepe	Bordeaux, Cabernet Sauvignon, Shiraz
17°C (63°F)	Rosso	Barolo, Borgogna Grand Cru
16°C (61°F)	Vini rossi, medi, leggeri	Rioja, Pinot Noir, CDP
15°C (59°F)		Chianti, Zinfandel
14°C (57°F)		Chinon, Port, Madeira
13°C (55°F)		Dolcetto, Côtes Du Rhône
12°C (54°F)	Vini rossi, succosi, fruttati	Beaujolais, Valpolicella
11°C (52°F)	Vini bianchi, forti/con gusto di quercia	Borgogna bianca
10°C (50°F)	Vini medi, leggeri	Chardonnay, Sauternes
9°C (48°F)	Vini bianchi	Sauvignon Blanc, Chablis
8°C (47°F)	Vini dolci e spumanti	Champagne tipo vintage
7°C (45°F)		
6°C (43°F)		Champagne NV, Prosecco, Cava, Asti

Nota: i dati sopra riportati sono presentati solo a scopo informativo.

Pulizia e manutenzione

Attenzione: Prima della pulizia o prima di mettere l'apparecchio in deposito, scollegare sempre l'apparecchio dalla presa di corrente e lasciare raffreddare il fornello.

Pulizia

- Lavare il dispositivo prima e dopo ogni utilizzo.
- Non immergere mai il dispositivo in acqua o altri liquidi.
- Non pulire il dispositivo con un getto d'acqua.
- Pulire la superficie del dispositivo con un panno umido o una spugna, con una piccola quantità di soluzione detergente delicata.
- Lavare tutte le parti del dispositivo con acqua per rimuovere eventuali residui di detergente.
- Non utilizzare spugne abrasive, detergenti, lana d'acciaio o utensili di metallo per pulire l'interno o l'esterno del dispositivo.
- Immediatamente dopo il lavaggio, asciugare le superfici interne ed esterne del dispositivo con un panno morbido.

Stoccaggio

- Prima di collocare il dispositivo in un'area di stoccaggio, assicurarsi sempre che esso sia stato scollegato dalla presa di alimentazione e si sia completamente raffreddato.
- Conservare il dispositivo in un luogo fresco, pulito e asciutto.

Trasporto

- Scollegare il dispositivo dalla presa di corrente rimuovendo la spina dalla presa.
- Rimuovere tutte le bottiglie di vino dal dispositivo.
- Proteggere tutte le parti non fisse all'interno del dispositivo con un nastro.
- Chiudere la porta.
- Il dispositivo deve essere trasportato da almeno 2 persone.

Risoluzione dei problemi

Se l'apparecchio non funziona correttamente, leggere la tabella qui sotto per trovare la soluzione corretta. Se non è possibile risolvere il problema, contattare il rivenditore.

Problema	Causa possibile	Soluzione proposta
Il dispositivo è collegato a una fonte di alimentazione, ma non si avvia.	La spina non è collegata correttamente alla fonte di alimentazione.	Controllare se la spina è correttamente collegata alla fonte di alimentazione.
	L'interruttore di sovraccarico è stato attivato o il fusibile si è bruciato.	Contattare il fornitore.
La temperatura all'interno del dispositivo è troppo alta	La temperatura impostata è troppo alta.	Impostare una temperatura più bassa.
	La porta era aperta troppo a lungo.	Limitare l'apertura della porta.
	La guarnizione della porta non funziona correttamente.	Assicurarsi che la guarnizione garantisca la chiusura adeguata della porta.
L'umidità viene accumulata sulle pareti interne del dispositivo.	La porta era aperta troppo a lungo.	Limitare l'apertura della porta.

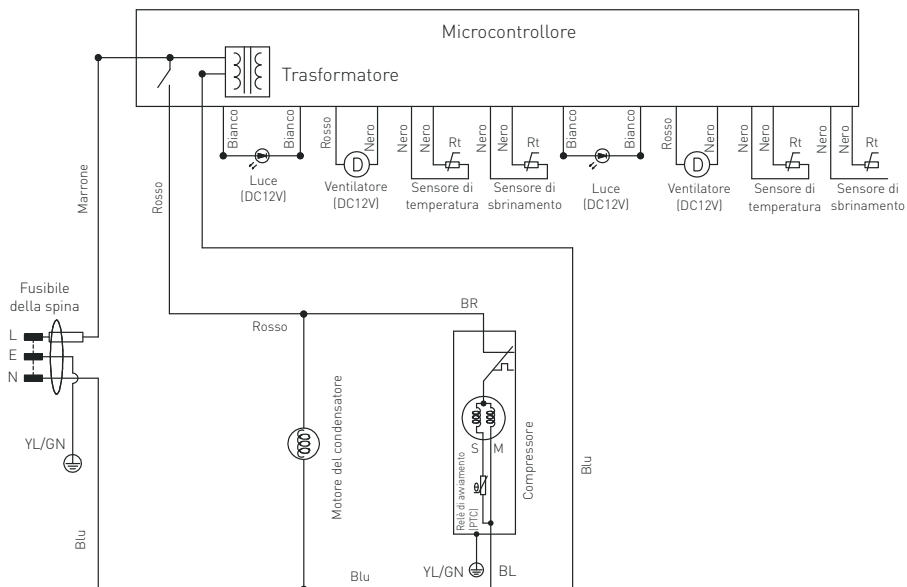
Specifiche tecniche

Prodotto numero	233221	233245
Tensione e frequenza	220-240V- 50Hz	
Consumo di energia nominale	45W	120W
Corrente nominale	0,5 A	1,0 A
Intervallo di temperatura	5°C - 20°C	
Classe di protezione	Classe I	
Potenza della luce	4W	
Livello di rumore	< 60 dB (A)	
Refrigerante / quantità di refrigerante	R600a / 30g	R600a / 55g
Classe energetica	G	
Agente schiumogeno infiammabile	Ciclopentano	
Classe climatica	N-ST (16°C to 38°C)	
Numero di zone di temperatura	2	
Capacità	144L	424L
Capacità - numero di bottiglie conservate	43 ~ 44 bottiglie	165 ~ 166 bottiglie
Numero di ripiani	5	14
Peso netto (circa):	55 kg	106 kg
Dimensioni	596 x 654 x (H) 855 mm	595 x 720 x (H) 1820 mm

Nota: Le specifiche tecniche sono soggette a modifiche senza preavviso.

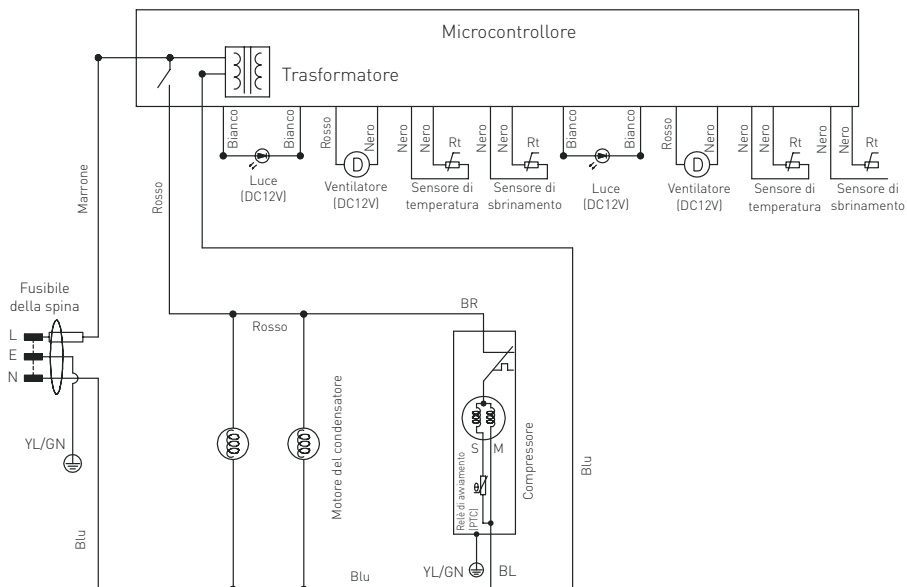
Schema elettrico

Prodotto: 233221



IT

Prodotto: 233245



Garanzia

Qualsiasi difetto che influenza la funzionalità del dispositivo che compaia entro un anno dall'acquisto sarà corretto a titolo interamente gratuito o con la sostituzione del prodotto che è stato utilizzato e sottoposto a manutenzione corretta seguendo le istruzioni, senza alcuna violazione. I diritti legali del cliente non sono assolutamente modificati. Nel caso in cui l'intervento di manutenzione o sostitu-

zione sia previsto nel periodo di validità della garanzia, precisare dove e quando si è acquistato il prodotto, possibilmente allegando lo scontrino.

In linea con la nostra politica di sviluppo continuo dei prodotti, ci riserviamo il diritto di modificare il prodotto, l'imballo e le specifiche di documentazione, senza notifica alcuna.

Smaltimento e protezione dell'ambiente


In caso di ritiro dell'apparecchiatura dal funzionamento il prodotto non può essere smaltito con altri rifiuti domestici. L'utente è responsabile della consegna dell'attrezzatura al punto di raccolta appropriato per l'attrezzatura usata. Il mancato rispetto delle disposizioni sopramenzionate può comportare l'imposizione di sanzioni in conformità con le normative vigenti in materia di smaltimento dei rifiuti. La raccolta e il riciclaggio selettivi di attrezzature usate contribuiscono alla conserva-

zione delle risorse naturali e garantiscono il riciclaggio in modo tale da non nuocere alla salute e all'ambiente. Per ulteriori informazioni sui luoghi di smaltimento delle apparecchiature usate per il riciclaggio, contattare la società locale di raccolta dei rifiuti. Il produttore e l'importatore non sono responsabili per il riciclaggio e il trattamento dei rifiuti in modo ecologico, sia direttamente che nel quadro del sistema pubblico.

Stimate client,

Vă mulțumim pentru achiziționarea acestui aparat Arctic. Vă rugăm să citiți cu atenția acest manual înainte de a conecta aparatul pentru evitarea defectării ca urmare a utilizării incorecte. Acordați o atenție deosebită regulilor de siguranță.

Reguli de siguranță

- Acest aparat este destinat uzului casnic și pentru bufet.
- Aparatul poate fi folosit doar în scopul pentru care a fost proiectat. Producătorul nu este răspunzător pentru orice avariere cauzată operării incorecte și a utilizării necorespunzătoare.
- Asigurați-vă că aparatul și ștecherul nu intră în contact cu apă sau alte lichide. În cazul în care aparatul este scăpat în apă, scoateți imediat ștecherul din priză și un tehnician autorizat trebuie să-l verifice. Dacă nu respectați aceste instrucțiuni, acest lucru poate cauza situații care vă pot pune viața în pericol.
- Nu încercați să deschideți singuri carcasa aparatului.
- Nu introduceți nici un fel de obiecte în carcasa aparatului.
- Nu atingeți ștecherul cu mâinile ude sau umede.
-  **Pericol de electrocutare!** Nu încercați să reparați singur/ă aparatul. În cazul unei defectiuni, reparațiile vor fi efectuate întotdeauna numai de personal calificat.
- **Nu utilizați niciodată un aparat defect!** Deconectați aparatul de la priza electrică și contactați distribuitorul în cazul unei defectiuni.
- **Avertisment!** Nu scufundați părțile electrice ale aparatului în apă sau în alte lichide. Nu țineți niciodată aparatul sub jet de apă.
- Verificați în mod regulat ștecărul și cablul pentru a vă asigura că nu sunt deteriorate. În cazul în care ștecărul sau cablul de alimentare este deteriorat, acesta trebuie înlocuit de agentul de service sau de alt personal calificat similar pentru a evita orice pericol.
- Cablul nu trebuie să intre în contact cu obiecte ascuțite sau fierbinți și trebuie păstrat departe de foc. Pentru a scoate ștecărul din priză, trageți întotdeauna de ștecăr, nu de cablu.
- Asigurați-vă că nimeni nu poate trage din greșeală cablul (sau prelungitorul) și că nimeni nu se poate împiedica de el.
- Supravegheați întotdeauna aparatul atunci când este în funcțiune.
- **Avertisment!** Atât timp cât ștecărul este în priză, aparatul este conectat la sursa de electricitate.
- Opriti aparatul înainte de a scoate ștecărul din priză.
- Nu cărați niciodată aparatul ținându-l de cablu.
- Nu utilizați dispozitive suplimentare care nu sunt livrate împreună cu aparatul.
- Conectați aparatul doar la prize electrice cu intensitatea și frecvența electrice menționate pe eticheta aparatului.
- Conectați cablul de alimentare la o priză electrică ușor accesibilă, astfel încât aparatul să poată fi deconectat imediat în caz de urgență. Scoateți cablul de alimentare din priza

electrică pentru a opri complet aparatul. Utilizați cablul de alimentare ca dispozitiv de deconectare.

- Oprii întotdeauna aparatul înainte de a deconecta cablul de alimentare.
- Nu utilizați niciodată accesoriile care nu sunt recomandate de către producător. Acestea pot reprezenta un risc de siguranță pentru utilizator și pot deteriora aparatul. Utilizați numai piese și accesoriile originale.
- Acest aparat nu trebuie folosit de copii sau persoane care au capacități mentale, senzoriale sau fizice reduse, sau lipsă de experiență și cunoștințe.
- Acest aparat nu trebuie utilizat sub nicio formă de către copii.
- Nu țineți produsul și cablurile sale la îndemâna copiilor.
- Copiii nu trebuie să se joace cu acest produs.
- Deconectați întotdeauna aparatul de la sursa de alimentare în cazul în care este lăsat nesupravegheat, precum și înainte de asamblare, dezasamblare sau curățare.
- Nu lăsați niciodată aparatul nesupravegheat pe parcursul utilizării.

Instrucțiuni speciale de siguranță

- Utilizați aparatul doar în conformitate cu indicațiile din acest manual.



Atenție! Risc de incendiu! Agentul frigorific utilizat este R600a. Acesta este un gaz natural inflamabil fără efecte adverse asupra mediului. Nu afectează stratul de ozon și nu amplifică efectul de seră. Utilizarea acestui agent frigorific a condus însă la o creștere ușoară în nivelul de zgomot al aparatului.

În afară de zgomotul produs de compresor, este posibil să auziți și curgerea agentului frigorific prin sistem. Acest lucru este inevitabil și nu are un efect negativ asupra performanțelor aparatului. Trebuie întotdeauna avută grijă la transportarea și instalarea aparatului, în așa fel încât niciuna din părțile sistemului de răcire să nu fie avariate. Scurgerile de agent frigorific pot vătăma ochii.

- Agentul de suflare a spumei folosit în acest aparat este Ciclopentan. Acesta este foarte inflamabil.
- Acest aparat funcționează la o temperatură ambientală de la 16 °C până la 38 °C.
- Nu puneți aparatul pe un obiect de încălzire (aparat de gătit cu benzină, electric, cărbune etc.) Mențineți aparatul la distanță de orice suprafețe fierbinți și de flăcări deschise. Utilizați și așezați întotdeauna aparatul pe o suprafață orizontală, stabilă, curată, termorezistentă și uscată.
- Nu utilizați aparatul în apropierea materialelor explozibile sau inflamabile, cardurilor de credit, discurilor magnetice sau radiourilor.
- Acest aparat nu este construit spre a fi utilizat cu ajutorul unui cronometru extern sau al unui sistem de control separat.
- **AVERTISMENT:** Nu obstrucționați orificiile pentru ventilație de pe carcasa aparatului.
- **AVERTISMENT:** Nu utilizați instrumente mecanice sau alte mijloace pentru a accelera dezghețarea, altele decât cele recomandate de producător.
- **AVERTISMENT:** Nu deteriorați circuitul agentului frigorific.
- În timpul utilizării, lăsați cel puțin 10 cm în jurul aparatului ca spațiu de ventilație.

RO

- Nu folosiți niciodată jeturi de apă, nu turnați apă direct peste aparat și nu curățați aparatul cu abur, deoarece piesele se vor uda și acest lucru va conduce la electrocutare.
- **Atenție!** Așezați protejat cablul de alimentare dacă este nevoie, pentru a împiedica tragerea neintenționată sau contactul cu suprafața de încălzire.
- Nu curățați și nu depozitați aparatul decât după ce s-a răcit complet.
- Păstrați cheia de la ușa departe de accesul copiilor.
- Aparatul nu trebuie înclinat la mai mult de 5°. După ce ați instalat aparatul așteptați 2 ore înainte de a-l conecta la sursa de curent și de a-l porni. Același lucru este valabil și dacă aparatul este ulterior mutat.

Destinația produsului

- Acest aparat este destinat uzului casnic și pentru bufet.
- Aparatul este proiectat doar pentru păstrarea și răcirea vinului (de ex. șampaniei, vinului alb, vinului roșu etc.). Orice altă utilizare poate provoca avarierea aparatului sau accidentarea persoanelor.
- Utilizarea aparatului în orice alt scop reprezintă o utilizare incorectă. Utilizatorul este singurul răspunzător de orice utilizare incorectă a aparatului.

Instalația de împământare

Acest aparat este încadrat în clasa de protecție I și trebuie împământat. Împământarea reduce riscul electrocutării prin asigurarea unui fir de ieșire pentru curentul electric. Acest aparat este dotat cu

un cablu cu fir de împământare cu fișă. Fișa trebuie conectată la o priză instalată corespunzător și împământată.

RO

Principalele componente ale aparatului

1. Corpul carcasei
2. Panou de comandă tactil (Vezi => Utilizare)
3. Capac superior cu balama
4. Cadru de ușă
5. Rafturi din lemn [5 rafturi pentru articolul 233221; 14 rafturi pentru articolul 233245]
6. Capac inferior cu balama
7. Orificii de ventilație
8. Gaură de cheie pentru încuierea ușii
9. Mânerul ușii
10. Kit de montare anti-răsturnare: 2x console de fixare, 2x șuruburi, 4x distanțiere metalice.



Instrucțiuni de instalare

- Scoateți aparatul din cutia de carton și apoi îndepărtați ambalajul și învelitorile externe și interne.
- Asigurați-vă că aparatul nu este deteriorat. În cazul în care livrarea este incompletă sau dacă există avarii, NU utilizați aparatul. Luați legătura cu furnizorul (Vezi == > Garanția).
- Lăsați aparatul în poziție verticală timp de aproximativ 2 ore. Acest lucru reduce funcționarea defectuoasă a sistemului de răcire cauzată de manipularea neadecvată din timpul transportului.
- Curățați suprafața interioară cu apă caldă și o lavetă moale. (Vezi == > Curățarea și întreținerea).

- Amplasați aparatul pe o suprafață orizontală, stabilă și rezistentă la căldură, cu protecție la stropirea cu apă.
- Temperatura ambientală optimă de lucru este între 16 °C și 32 °C. În caz contrar, funcționalitatea va fi limitată.
- Asigurați-vă că există suficientă ventilație. Păstrați o distanță de minimum 10 cm în jurul aparatului. Nu blocați orificiile de ventilație.
- Pentru a economisi energie, asigurați-vă întotdeauna că este închisă ușa.

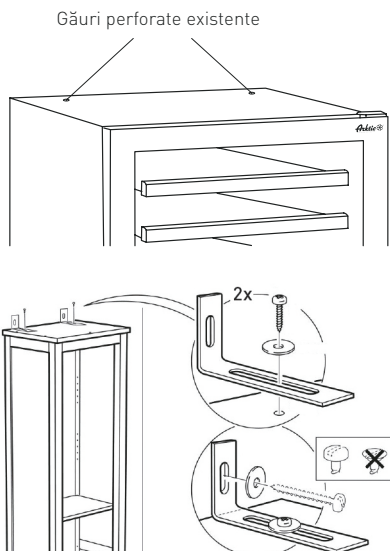
Instalarea consolelor de fixare anti-răsturnare (Exclusiv pentru articolul: 233245)

OBSERVAȚIE: Vă rugăm să utilizați o șurubelniță în cruce adecvată pentru instalare.

Înainte de instalare: Verificați consola de perete să nu fie deteriorată și caracterul complet al kiturilor de instalare. NU instalați în cazul în care observați urme de deteriorare sau elemente lipsă.

AVERTISMENT: Pot apărea accidente ca urmare a răsturnării răcitorului de vin. Pentru a preveni răsturnarea răcitorului, acesta trebuie fixat pe perete cu consolele de fixare corespunzătoare. Consultați ilustrația pentru detalii de instalare.

Elementele de fixare pe perete nu sunt incluse, deoarece diferite materiale de fixare pe perete necesită diferite tipuri de elemente de fixare. Utilizați materiale de fixare care sunt adecvate pentru pereți. Pentru sfaturi cu privire la elementele de fixare adecvate, contactați furnizorul local specializat.



Utilizare

Aparatul este împărțit în 2 zone distincte. Aparatul are o „ZONĂ SUPERIOARĂ” și o „ZONĂ INFERIOARĂ” controlate independent prin intermediul panoului de comandă (2).



Control temperatură și afișaj

- Introduceți ștecherul într-o priză electrică adecvată, va clipi „888” timp de câteva secunde și se va auzi o avertizare sonoră pentru configurarea implicită din fabrică.
- Se va afișa apoi pe ecran temperatura zonei superioare și a zonei inferioare (U2/L2).
- Configurați după aceea temperatura din fiecare zonă apăsând tasta „+” sau „-” de pe butonul (U1/L1) [Interval: de la 39 °F (4 °C) până la 68 °F (20 °C)]. Temperatura zonei are o toleranță de +/- 5 °F (+/- 3 °C) la valoarea configurată, în funcție de numărul de sticle depozitate și condițiile de temperatură ambientală.

Comutator PORNIT/OPRIT

- Apăsați și mențineți apăsat butonul S1 timp de 3 sau 4 secunde pentru a PORNI/OPRI aparatul.
- După ce OPRIȚI aparatul, ambele afișaje (U2 și L2) se vor stinge.

Iluminarea interioară

- Apăsați butonul U3 sau L3 pentru a APRINDE lumina în ZONA SUPERIOARĂ sau în ZONA INFERIOARĂ a aparatului.

- Apăsați din nou butonul U3 sau L3 pentru a STINGE lumina în ZONA SUPERIOARĂ sau în ZONA INFERIOARĂ a aparatului.
- Lumina interioară va continua să lumineze dacă nu se apasă butonul pentru a o STINGE.

Conversia unităților de temperatură

- Afișajul temperaturii poate fi schimbat între grade Celsius (°C) și Fahrenheit (°F) prin apăsarea butonului (T1).

Modul blocare taste

- Dacă nu se atinge niciun buton timp de 15 secunde, aparatul va intra în modul „Blocare taste”. În modul „Blocare taste”, butonul nu răspunde decât dacă anulați modul „Blocare taste”.
- Pentru a anula modul „Blocare taste”, apăsați și mențineți apăsat butonul U1 (apăsați simultan tastele „+” și „-” timp de câteva secunde). Aceasta va anula modul „Blocare taste”.

Notă: Ușa aparatului poate fi încuiată la partea inferioară (8) cu cheile (livrate)

Afișarea codurilor de eroare

Coduri de eroare afișate pe ecran (U2/L2)	Cauze posibile	Soluții posibile
„E0” clipește	Eroare de conectare, cablul sau componenta nu sunt conectate adecvat.	Contactați furnizorul.
„E1” clipește	Senzorul de temperatură are o eroare în zona respectivă	Contactați furnizorul.
„E2” clipește	Senzorul de dezghețare are o eroare în zona respectivă	Contactați furnizorul.

Temperatura optimă de servire a vinului

Temperatură	Tipul de vin	Categoria de vin
18°C (65°F)	Bogate, intense, cu aromă de stejar, piper	Bordeaux, Cabernet Sauvignon, Shiraz
17°C (63°F)	Vinuri roșii	Barolo, Burgundy Grand Cru
16°C (61°F)	Vinuri roșii demiseci spre dulci	Rioja, Pinot Noir, CDP
15°C (59°F)		Chianti, Zinfandel
14°C (57°F)		Chinon, Port, Madeira
13°C (55°F)		Dolcetto, Cotes Du Rhone
12°C (54°F)	Vinuri roșii vibrante, fructate	Beaujolais, Valpolicella
11°C (52°F)	Vinuri albe seci/păstrate în stejar	Burgundy Alb
10°C (50°F)	Vinuri demiseci spre dulci	Chardonnay, Sauternes
9°C (48°F)	Vinuri albe	Sauvignon Blanc, Chablis
8°C (47°F)	Vinuri dulci și spumante	Șampanii maturate
7°C (45°F)		
6°C (43°F)		Champagne NV, Prosecco, Cava, Asti

Observație: Tabelul de mai sus este oferit doar pentru referințe.

Curățarea și întreținerea

Atenție: Scoateți întotdeauna aparatul din priză și lăsați-l să se răcească complet înainte de curățare și depozitare.

Curățarea

- Curățați aparatul înainte și după fiecare utilizare.
- Nu scufundați niciodată aparatul în apă sau în alte lichide.
- Nu curățați aparatul cu jet de apă.
- Curățați suprafața cu o lavetă ușor umezită sau cu un burete cu o soluție diluată de săpun
- Toate piesele care au fost spălate trebuie clătite cu apă curată pentru a îndepărta reziduurile de curățare.
- Nu folosiți niciodată bureți sau detergenți abrazivi, bureți de sârmă sau ustensile metalice pentru a curăța părțile interioare sau exterioare ale aparatului.
- Uscați suprafețele interioare și exterioare cu o cârpă moale.

Depozitarea

- Asigurați-vă întotdeauna înainte de depozitare că aparatul a fost deconectat de la sursa de alimentare și s-a răcit complet.
- Depozitați aparatul într-un loc răcoros, curat și uscat.

Transportul

- Deconectați aparatul de la priza electrică.
- Scoateți toate sticlele de vin din interiorul aparatului.
- Asigurați cu bandă adezivă toate piesele libere din interiorul aparatului.
- Încuiați ușa.
- Sunt necesare cel puțin 2 persoane pentru asistență în timpul transportului.

Depanarea

Dacă aparatul nu funcționează bine, consultați tabelul de mai jos pentru a găsi soluția. Dacă tot nu puteți rezolva problema, luați legătura cu furnizorul/agentul de service.

Probleme	Cauze posibile	Soluții posibile
Aparatul este conectat la alimentarea electrică, dar nu funcționează.	Aparatul nu este conectat în mod corect la priza de alimentare.	Verificați încă o dată dacă legătura s-a făcut corect.
	Înterupătorul de circuit s-a declanșat sau s-a ars o siguranță.	Contactați furnizorul.
Temperatura din interiorul aparatului este prea ridicată	Temperatura configurată este prea ridicată	Selectați o valoare mai scăzută.
	Ușa a fost ținută deschisă un timp îndelungat.	Deschideți mai rar ușa.
	Garnitura ușii nu mai etanșează corespunzător.	Verificați pentru a vă asigura că garnitura etanșează corect.
Se formează condens pe pereții interiori ai aparatului.	Ușa este ținută deschisă un timp îndelungat.	Deschideți ușa mai puțin.

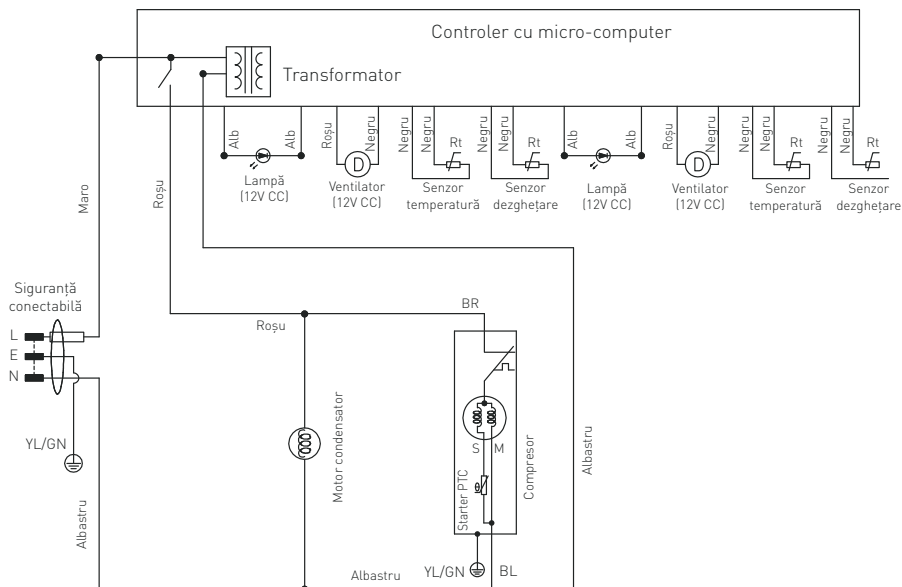
Specificația tehnică

Articol nr.	233221	233245
Tensiune și frecvență de funcționare	220-240V- 50Hz	
Puterea nominală de intrare	45W	120W
Intensitatea nominală	0,5 A	1,0 A
Configurarea intervalului de temperatură	de la 5°C până la 20°C	
Clasa de protecție	Clasa I	
Puterea corpului de iluminat	4W	
Nivel sonor	< 60 dB (A)	
Agentul frigorific utilizat și cantitatea injectată	R600a / 30g	R600a / 55g
Clasa de eficiență energetică	G	
Agent de spumare inflamabil	Ciclopentan	
Clasa de climă	N-ST (de la 16°C până la 38°C)	
Nr. de zone de temperatură	2	
Capacitatea volumetrică	144L	424L
Capacitatea de depozitare sticle	43 ~ 44 sticle	165 ~ 166 sticle
Nr. de rafturi	5	14
Greutate netă (aprox.)	55 kg	106 kg
Dimensiune	596 x 654 x (H) 855 mm	595 x 720 x (H) 1820 mm

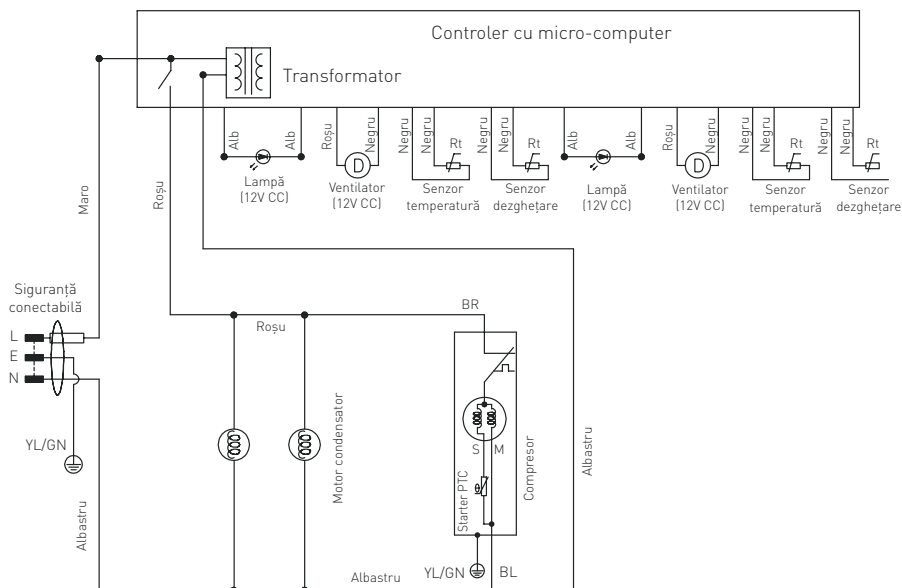
Observații: Specificația tehnică poate fi modificată fără preaviz.

Schema electrică

Articol : 233221



Articol : 233245



RO

Garanție

Orice defecțiune care afectează funcționarea aparatului apărută la mai puțin de un an de la cumpărarea acestuia va fi remediată prin reparație sau înlocuire gratuită, cu condiția ca aparatul să fi fost folosit și întreținut conform instrucțiunilor nu să nu fi fost bruscat sau folosit necorespunzător în vreun fel. Drepturile dumneavoastră legale nu sunt afec-

tate. Dacă aparatul este în garanție, menționați când și de unde a fost cumpărat și includeți dovada cumpărării (de ex. chitanța).

Conform politicii noastre de dezvoltare continuă a produsului, ne rezervăm dreptul de a modifica produsul, ambalajul și documentația fără notificare.


Eliminarea și mediul înconjurător

La dezafectarea aparatului, produsul nu trebuie aruncat împreună cu alte deșeuri menajere. În schimb, este responsabilitatea dumneavoastră să eliminați echipamentul uzat prin predarea acestuia la un punct de colectare desemnat. Nerespectarea acestei reguli poate fi penalizată în conformitate cu reglementările aplicabile privind eliminarea deșeurilor. Colectarea separată și reciclarea echipamentului dumneavoastră uzat la momentul debarasării contribuie la conservarea resurselor na-

turale și asigură realizarea reciclării într-un mod care protejează sănătatea ființelor umane și a mediului. Pentru informații suplimentare privind modul în care puteți preda deșeurile dumneavoastră în scopul reciclării, vă rugăm să contactați compania locală de colectare a deșeurilor. Producătorii și importatorii nu își asumă responsabilitatea cu privire la reciclarea, tratarea și eliminarea ecologică a deșeurilor, fie direct, fie prin intermediul unui sistem public.

Большое Вам спасибо за то, что Вы купили оборудование фирмы Arctic. Вам следует внимательно прочитать настоящую инструкцию пользователя во избежание повреждения машины в результате неправильной эксплуатации. Особенно рекомендуем ознакомиться с предупреждениями.


Правила техники безопасности

- Это оборудование предназначено для буфета и домашнего использования.
- Оборудование следует использовать точно по назначению. Производитель не несет ответственности за повреждения, вызванные неправильной эксплуатацией или неправильным обслуживанием оборудования.
- Оборудование и электрическую штепсельную вилку следует держать вдали от воды и прочих жидкостей. Если штепсельная вилка попадет в воду, ее следует тут же вытащить из розетки электропитания и обратиться в службу сертифицированного сервиса для проверки устройства. Несоблюдение данных указаний может повлечь за собой угрозу здоровью и жизни обслуживающего персонала.
- Нельзя снимать кожух без особого разрешения.
- Нельзя класть никаких посторонних предметов вовнутрь агрегата.
- Нельзя касаться мокрыми, или влажными руками штепсельной вилки.
-  **Опасность поражения током!** Не следует самостоятельно чинить электроаппаратуру. Любые поломки и неисправности должны устраняться квалифицированным персоналом.
- **Никогда не следует пользоваться поврежденной электроаппаратурой.** Поврежденное устройство нужно отсоединить от электросети и обратиться к продавцу.
- **Предупреждение:** не следует погружать электрических деталей в воду, или иные жидкости. Не омыwać в струе воды.
- Регулярно проверять вилку и провод электропитания на предмет повреждений. Поврежденные вилку или провод передать для ремонта в сервисную точку, или обратиться к квалифицированному электрику во имя предотвращения опасности травм.
- Удостовериться, что провод электропитания не касается острых и горячих предметов; держать электропровод вдали от открытого огня. Для того, чтобы вынуть вилку из розетки всегда нужно тянуть за вилку, а не за электропровод.
- Защитить провод электропитания (удлинитель) от случайного выпадения из розетки. Электропровод прокладывать так, чтобы случайно не зацепиться за него.
- Непрестанно наблюдать за работающей электроаппаратурой.
- **Предупреждение!** Если вилка находится в розетке – это означает, что электроаппаратура считается подключенной к электропитанию.
- Перед тем, как вынуть вилку из розетки, электроаппаратуру следует выключить!
- Никогда нельзя переносить, передвигать электроаппаратуру держа за электропровод.
- Не использовать никаких деталей, аксессуаров, которые не поставляются вместе с этой электроаппаратурой.

- Электроаппаратуру следует подключать исключительно к розетке, в которой имеется напряжение и частоту, указанную на щитке электроаппаратуры.
- Вилку следует вставлять в розетку, расположенную в удобном и легкодоступном месте, так чтобы в случае аварии можно бы ее немедленно вынуть. Для полного обеспечения электроаппаратуры ее следует отсоединить от электропитания; для этого следует вынуть вилку, находящуюся на конце провода электропитания, из розетки.
- Перед тем, как вынуть вилку всегда следует помнить о том, чтобы сначала выключить электроаппаратуру!
- Не следует использовать детали, аксессуары, не рекомендуемые производителем данной электроаппаратуры, т.к. использование таких деталей, аксессуаров может создать для пользователя угрозу его здоровью и жизни, а также может привести к поломке электроаппаратуры. Следует всего использовать оригинальные детали, аксессуары.
- Без надлежащего контроля или предварительного обучения эксплуатации оборудования проводимого лицом, отвечающим за безопасную эксплуатацию, оборудованием не могут пользоваться ни дети, ни лица с ограниченными физическими, или психическими возможностями, ни лица, которые не обладают необходимым опытом работы и знаниями в данной области.
- Ни в коем случае нельзя допускать к использованию электроаппаратуры детей.
- Электроаппаратуру следует хранить в месте недоступном для детей.
- Нельзя разрешать детям использовать электроаппаратуру в качестве игрушки.
- Всегда электроаппаратуру следует отсоединить от электропитания, если оставляем ее без надзора, перед монтажом, демонтажем и чисткой.
- Нельзя оставлять работающую электроаппаратуру без надзора.

RU

Специальные правила техники безопасности

- Используйте устройство только в соответствии с этим руководством.
-  **Внимание! Опасность пожара!** В устройстве используется хладагент R600a. Это экологически чистый горючий газ. Он не вреден для озонового слоя и не влияет на парниковый эффект. Однако использование этого хладагента приводит к небольшому увеличению уровня шума, создаваемого устройством. Кроме шума, создаваемого компрессором, пользователь может слышать звук, вызванный потоком хладагента. Этого явления нельзя избежать и он не оказывает негативного влияния на функционирование устройства. Во время транспортировки и установки устройства следует соблюдать особую осторожность, чтобы не повредить какие-либо части холодильной системы. Утечка хладагента может привести к повреждению глаз.
- В устройстве используется пенообразующее вещество (средство вспенивающее изолирующую пену) Циклопентан и оно легковоспламеняющееся.
- Температура окружающей среды в месте использования должна быть в пределах диапазона от 16°C до 38 °C.

- Не размещайте устройство на объекте, который излучает тепло (газовая или электрическая плита, гриль и т.п.). Держите устройство подальше от любых горячих поверхностей и открытого пламени. Устройство следует установить и эксплуатировать на ровной, стабильной, чистой и сухой поверхности, устойчивой к высоким температурам.
- Не используйте устройство вблизи взрывчатых или легковоспламеняющихся материалов, платежных карт, магнитных дисков или радиоприемников.
- Устройство не приспособлено для управления с помощью внешнего таймера или отдельной системы дистанционного управления.
- **ПРЕДУПРЕЖДЕНИЕ:** Не закрывайте вентиляционные отверстия корпуса устройства.
- **ПРЕДУПРЕЖДЕНИЕ:** Не используйте механические устройства или инструменты, отличающиеся от рекомендованных производителем, чтобы ускорить процесс размораживания.
- **ПРЕДУПРЕЖДЕНИЕ:** Нельзя привести к повреждению контура хладагента.
- Обеспечьте по крайней мере 10-сантиметровое пространство вокруг устройства, для обеспечения достаточной вентиляции во время пользования.
- Не чистите устройство с помощью струи воды под давлением или пароочистителя, не промывайте устройство водой, так как это приведет к увлажнению деталей внутри устройства, что может привести к поражению электрическим током.
- **Внимание!** Правильно уложите и закрепите шнур питания, чтобы предотвратить случайное вытягивание или контакт с нагретой поверхностью.
- Не чистите и не размещайте устройство на хранение пока оно полностью не остынет.
- Держите ключ от двери в недоступном для детей месте.
- Устройство не должно быть наклонено под углом, большим, чем 5°. После установки устройства подождите 2 часа, прежде чем подключите его к источнику питания и проведете запуск. Эта рекомендация касается также ситуации, когда устройство впоследствии будет переноситься в другое место.

Назначение устройства

- Это оборудование предназначено для буфета и домашнего использования.
- Устройство предназначено исключительно для хранения и охлаждения вина (например, шампанского, белого и красного вина и т.п.). Использование устройства для любых других целей может привести к повреждению или травме тела.
- Использование устройства для любых других целей будет рассматриваться, как использование не по назначению. Пользователь будет нести исключительную ответственность за неправильное использование устройства.

Монтаж устройства

Гранитор является устройством I класса защиты и должен быть заземлен. Заземление снижает риск поражения электрическим током за счет использования отводящего провода. Устройство

оснащено заземляющим проводом с вилкой с заземляющим контактом. Не вставляйте вилку в розетку, если устройство не установлено надлежащим образом и не заземлено.

Основные детали устройства

1. Корпус
2. Сенсорная панель управления (Смотри ==> Эксплуатация)
3. Крышка верхней дверной петли
4. Рама двери
5. Деревянные полки (5 полок для модели 233221, 14 для модели 233245)
6. Крышка нижней дверной петли
7. Вентиляционные отверстия
8. Замочная скважина от ключа для закрытия двери устройства
9. Ручка двери
10. Монтажный комплект для защиты от переворачивания: 2 кронштейна, 2 винта, 4 металлические распорки.



Указания по установке

- Извлеките устройство из картонной коробки, снимите внутреннюю и наружную упаковку и защиты.
- Проверьте, не повреждено ли устройство. В случае неполной доставки или повреждения НЕ используйте устройство. Свяжитесь с поставщиком (смотри == > Гарантия).
- Оставьте устройство в вертикальном положении примерно 2 часа. Такие действия направлены на уменьшение нарушений нормальной работы системы охлаждения в случае неправильного обращения с устройством во время транспортировки.
- Вымойте наружные поверхности мягкой тканью, смоченной в теплой воде. (Смотри ==> Очистка и техническое обслуживание).
- Поместите устройство на ровную устойчивую поверхность, стойкую к высоким температурам и брызгам воды.
- Рабочая температура окружающей среды должна быть в пределах диапазона от 16°C до 32°C. В противном случае устройство может работать неправильно.
- Обеспечьте необходимую вентиляцию. Обеспечьте по крайней мере 10-сантиметровый зазор вокруг устройства. Не закрывайте вентиляционные отверстия.
- Для экономии электроэнергии всегда следите за тем, чтобы дверь была закрыта.

Установка кронштейнов для защиты от переворачивания (только модель 233245)

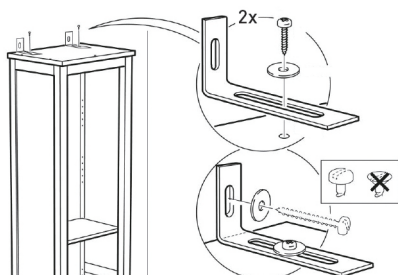
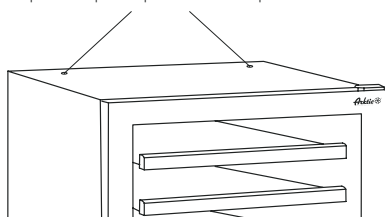
ПРИМЕЧАНИЕ. Используйте для монтажа подходящую крестовую отвертку.

Перед монтажом: Проверьте настенный кронштейн на предмет повреждений и комплектности монтажных комплектов. НЕ ДОПУСКАЕТСЯ установка в случае повреждений или отсутствия элементов.

ПРЕДУПРЕЖДЕНИЕ! В случае переворачивания кулера для вина возможны несчастные случаи. Для предотвращения переворачивания кулера его необходимо закрепить на стене с помощью входящих в комплект кронштейнов. Процедура монтажа показана на иллюстрации.

Крепеж для крепления кронштейнов на стене не входит в комплект, поскольку для разных материалов стен требуются разные типы крепежа. Используйте крепеж, который подойдет для вашего типа стен. Рекомендации по подходящему крепежу можно получить у дилера в вашем регионе.

Заранее просверленные отверстия



Эксплуатация

Устройство состоит из двух отдельных зон. Управление «ВЕРХНЕЙ ЗОНОЙ» и «НИЖНЕЙ ЗОНОЙ» выполняется отдельно с помощью панели управления (2).



Регулирование температуры и дисплей

- Подключите устройство к электрической розетке; на дисплее в течение нескольких секунд будет мигать сообщение „888” и раздастся звуковой сигнал - устройство будет работать согласно заводским настройкам.
- Затем на дисплее появится температура верхней и нижней зоны (U2/L2).
- Потом установите температуру для каждой зоны с помощью кнопок „+” или „-” (U1/L1) [Диапазон: 41°F (5°C) до 68°F(20°C)]. Температура зоны может отклоняться на +/- 5 ° F (+/- 3 ° C) от настройки температуры в зависимости от количества хранящихся бутылок и температуры окружающей среды.

Переключатель ON/OFF

- Нажмите и удерживайте кнопку S1 в течение 3 - 4 секунд, чтобы включить или выключить устройство.
- После выключения устройства оба дисплея (U2 и L2) погаснут.

Внутреннее освещение

- Нажмите кнопку U3 или L3, соответственно, чтобы включить свет в ВЕРХНЕЙ или НИЖНЕЙ ЗОНЕ.
- Нажмите кнопку U3 или L3 еще раз, чтобы выключить свет в ВЕРХНЕЙ или НИЖНЕЙ ЗОНЕ.
- Внутренний свет не гаснет, если он не будет выключен вручную.

Изменение единицы измерения температуры

- Единицу измерения температуры можно изменить с градусов Цельсия (°C) на градусы Фаренгейта (°F) и наоборот с помощью кнопки (T1).

Режим блокировки

- Если в течение 15 секунд не будет нажата ни одна кнопка, устройство автоматически запустит режим „блокировки“. В этом режиме нельзя будет изменить настройки устройства, пока блокировка не будет отключена.

- Чтобы отключить режим блокировки, нажмите и удерживайте кнопку U1 (одновременно нажмите кнопки „+“ и „-“ и удерживайте в течение нескольких секунд). Режим блокировки будет отключен.

Примечание: Дверь устройства можно закрыть с помощью ключа (замочная скважина расположена в нижней части устройства - (8) (ключ прилагается к устройству))

Отображаемые коды ошибок

Коды ошибок, отображаемые на дисплее (U2/L2).	Возможная причина	Предлагаемое решение
Мигает сообщение „E0“	Ошибка подключения, провод или часть устройства неправильно подключены.	Свяжитесь с поставщиком.
Мигает сообщение „E1“	Ошибка срабатывания датчика температуры в соответствующей зоне	Свяжитесь с поставщиком.
Мигает сообщение „E2“	Неисправность датчика размораживания в соответствующей зоне	Свяжитесь с поставщиком.

Оптимальная температура для подачи вина

Температура	Тип вина	Категория вина
18°C (65°F)	Богатые, интенсивные, дубовые, перечные	Бордо, Каберне Совиньон, Шираз
17°C (63°F)	Красное	Бароло, Бургундия Гран Крю
16°C (61°F)	Красные вина легкой и средней насыщенности	Риоха, Пино Нуар, СДР
15°C (59°F)		Кьянти, Зинфандель
14°C (57°F)		Шинон, Порт, Мадейра
13°C (55°F)		Дольчетто, Кот-дю-Рон
12°C (54°F)	Красные вина сочные и фруктовые	Божоле, Вальполличелла
11°C (52°F)	Белые вина крепкой насыщенности/дубовые	Белые бургундские
10°C (50°F)	Вина легкой и средней насыщенности	Шардоне, Сотерн
9°C (48°F)	Белые вина	Совиньон Блан, Шаблис
8°C (47°F)	Сладкие и игристые вина	Винтажное шампанское
7°C (45°F)		
6°C (43°F)		Шампань Н.В., Просекко, Кава, Асти

Примечание: приведенные выше данные предназначены исключительно для информации.

Очистка и техническое обслуживание

Замечание: Перед очисткой и размещением устройства на хранение, всегда отключайте устройство от электросети и подождите, пока плита остынет.

Очистка

- Мойте устройство до и после каждого использования.
- Никогда не погружайте устройство в воду или другие жидкости.
- Не мойте устройство струей воды.
- Очистите поверхность устройства влажной тканью или губкой с небольшим количеством раствора мягкого моющего средства.
- Все детали устройства промойте водой, чтобы удалить остатки чистящего средства.
- Не используйте абразивные губки, детергенты, стальную вату или металлический инструмент для очистки внутренних или внешних частей устройства.
- Сразу же после очистки высушите внутреннюю и внешнюю поверхности устройства с помощью мягкой ткани.

Хранение

- Перед размещением устройства для хранения всегда следите за тем, чтобы оно было отсоединено от розетки электропитания и полностью остыло.
- Храните устройство в прохладном, чистом и сухом месте.

Транспорт

- Отключите устройство от источника питания, удалив вилку из розетки.
- Выньте все бутылки с вином из устройства.
- Закрепите все нефиксированные элементы устройства с помощью ленты.
- Закройте дверь.
- Устройство должно переносить не менее 2 человек.

Диагностика

Если устройство не работает должным образом, обратитесь к приведенной ниже таблице, чтобы найти правильное решение. Если вы все еще не можете решить проблему, обратитесь к поставщику.

Проблема	Возможная причина	Предлагаемое решение
Устройство подключено к источнику питания, но оно не запускается.	Вилка неправильно подключена к источнику питания.	Check again to make sure it is connected properly.
	Сработало реле защиты от перегрузки или перегорел предохранитель.	Свяжитесь с поставщиком.
лишком высокая температура внутри устройства	Установленная температура слишком высокая	Установите более низкую температуру
	Дверь была слишком долго открыта	Ограничьте открытие двери
	Не слишком плотное уплотнение двери	Убедитесь, что прокладка обеспечивает правильное закрытие двери.
На внутренних стенках устройства накапливается влажность.	Дверь была слишком долго открыта.	Ограничьте открытие двери

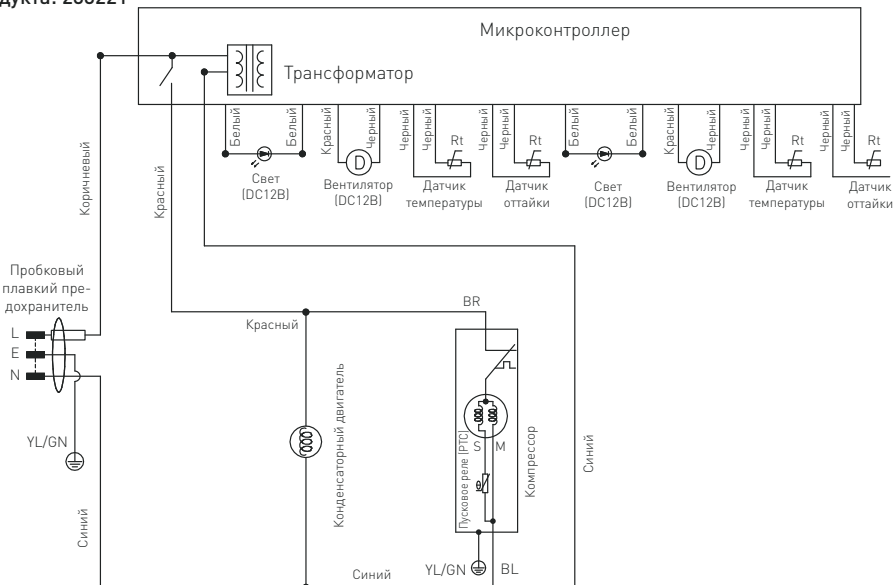
Технические характеристики

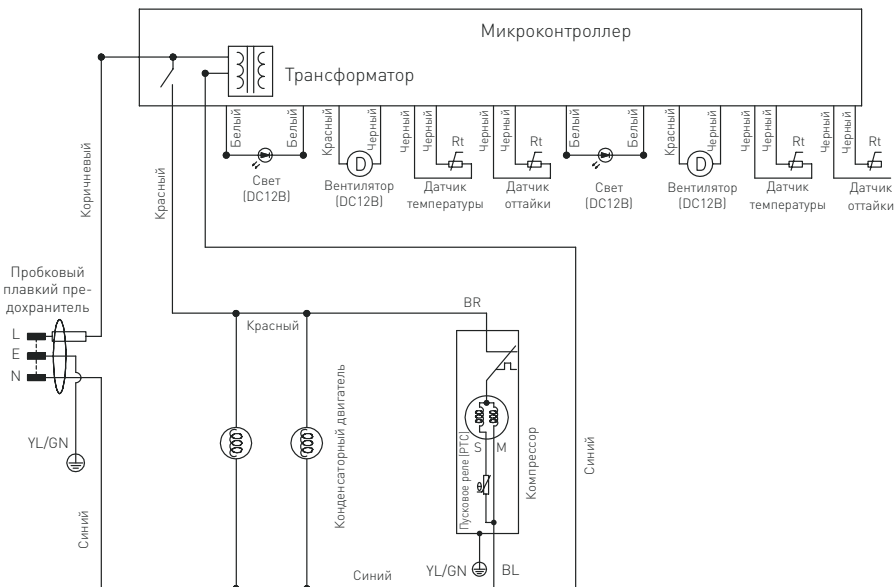
№ продукта	233221	233245
Рабочее напряжение и частота	220-240В- 50 / 60 Гц	
Потребляемая мощность	45Вт	120Вт
Номинальный ток	0,5 А	1,0 А
Диапазон температуры	5°C до 20°C	
Степень защиты	I Класс	
Мощность света	4 Вт	
Уровень шума	< 60 дБ (А)	
Хладагент / количество вводимого агента	R600a / 30г	R600a / 55г
Энергетический класс	G	
Легковоспламеняющийся пенообразователь	Циклопентан	
Климатический класс	N-ST (16°C до 38°C)	
Количество температурных зон	2	
Ёмкость	144 л	424 л
Ёмкость - количество хранящихся бутылок	43 ~ 44 бутылки	165 ~ 166 бутылок
Количество полок	5	14
Вес нетто (прим.):	55 кг	106 кг
Размеры	596 x 654 x (выс.) 855 мм	595 x 720 x (выс.) 1820 мм

Замечания: Технические характеристики могут быть изменены без предварительного уведомления.

Электрическая схема

Продукта: 233221





Гарантия

Любая неполадка или поломка, которая влечет за собой неправильную работу устройства, которая будет выявлена в течение первого года от даты покупки, будет устранена бесплатно, или же все устройство будет заменено новым, если оно эксплуатировалось и обслуживалось согласно инструкции по обслуживанию и не использовалось неправильно, или в разрез с назначением. Данное положение ни коей мере не нарушает иных прав потребителя, изложенных в законо-

дательстве. В случае заявления устройства в ремонт или на замену в рамках гарантии, следует указать место и дату покупки устройства и приложить счет, или чековую квитанцию.

Согласно нашей политике совершенствования наших продуктов оставляем за собой право на ввод изменений в конструкцию, упаковку и в технические параметры, указываемые в технической документации без предупреждения.


Утилизация и защита окружающей среды

В случае вывода оборудования из эксплуатации, продукт нельзя утилизировать вместе с другими бытовыми отходами. Пользователь несет ответственность за передачу оборудования в соответствующий пункт приёма техники бывшей в употреблении. Несоблюдение вышеуказанного положения может привести к наложению штрафов в соответствии с действующими правилами в отношении утилизации отходов. Селективный сбор и утилизация использованного оборудования способствуют сохранению природных

ресурсов и обеспечивают рециркуляцию таким образом, который не вреден для здоровья и окружающей среды. Для получения дополнительной информации о том, где можно отдать использованное оборудование для утилизации, обратитесь в местную компанию по сбору отходов. Производитель и импортер не несут ответственности за рециркуляцию и переработку отходов экологически безопасным способом, как непосредственно, так и в рамках государственной системы.

Ευχαριστούμε που αγοράσατε αυτό το προϊόν Arctic. Διαβάστε προσεκτικά το παρόν εγχειρίδιο πριν συνδέσετε τη συσκευή, προκειμένου να προλάβετε πιθανή βλάβη που μπορεί να οφείλεται σε λαν- θασμένη χρήση. Διαβάστε ιδίως τους κανονισμούς ασφαλείας πολύ προσεκτικά.

Κανονισμοί ασφαλείας

- Η συσκευή ενδείκνυται για χρήση σε μπουφέ και οικιακή χρήση.
- Κρατήστε τη συσκευή και το βύσμα μακριά από νερό και άλλα υγρά. Σε περίπτωση που η συσκευή πέσει μέσα σε νερό, αφαιρέστε αμέσως το βύσμα από την πρίζα και μην τη χρησιμοποιήσετε μέχρι να ελεγχθεί η συσκευή από πιστοποιημένο τεχνικό. Η μη τήρηση των οδηγιών ενδέχεται να προκαλέσει κίνδυνο προς τη ζωή.
- Μην επιχειρήσετε ποτέ να ανοίξετε μόνοι σας το περίβλημα της συσκευής.
- Μην εισάγετε αντικείμενα στο περίβλημα της συσκευής.
- Μην αγγίζετε το βύσμα με υγρά χέρια.
-  **Κίνδυνος ηλεκτροπληξίας!** Μην επιχειρήσετε να επισκευάσετε μόνοι σας τη συσκευή. Σε περίπτωση δυσλειτουργίας, οι επισκευές πρέπει να διενεργούνται μόνο από εξειδικευμένο προσωπικό.
- **Μην χρησιμοποιείτε ποτέ συσκευή με βλάβη!** Σε περίπτωση βλάβης, αποσυνδέστε τη συσκευή από την πρίζα και επικοινωνήστε με τον πωλητή.
- **Προειδοποίηση!** Μην βυθίζετε τα ηλεκτρικά μέρη της συσκευής σε νερό ή άλλα υγρά. Μην βάζετε ποτέ τη συσκευή κάτω από τρεχούμενο νερό.
- Ελέγχετε τακτικά το βύσμα και το καλώδιο τροφοδοσίας για τυχόν ζημιές. Εάν το βύσμα ή το καλώδιο τροφοδοσίας είναι κατεστραμμένο, πρέπει να αντικατασταθεί από τεχνικό σέρβις ή εξειδικευμένα άτομα για την αποφυγή τυχόν κινδύνου ή τραυματισμού.
- Βεβαιωθείτε ότι το καλώδιο δεν έρχεται σε επαφή με αιχμηρά ή θερμά αντικείμενα και κρατήστε το μακριά από φωτιά. Για να βγάλετε το βύσμα από την πρίζα, να τραβάτε πάντα το βύσμα και όχι το καλώδιο.
- Βεβαιωθείτε ότι το καλώδιο (ή το καλώδιο επέκτασης) είναι τοποθετημένο έτσι ώστε να μην προκαλέσει κίνδυνο να σκοντάψει κανείς.
- Να προσέχετε πάντα τη συσκευή κατά τη χρήση.
- **Προειδοποίηση!** Όσο το βύσμα είναι στην πρίζα, η συσκευή είναι συνδεδεμένη στην πηγή τροφοδοσίας.
- Απενεργοποιήστε τη συσκευή πριν τραβήξετε το βύσμα από την πρίζα.
- Ποτέ μην μεταφέρετε τη συσκευή από το καλώδιο.
- Μην χρησιμοποιείτε συσκευές που δεν παρέχονται μαζί με τη συσκευή.
- Συνδέστε τη συσκευή μόνο σε ηλεκτρική πρίζα με τάση και συχνότητα που αναφέρονται στην ετικέτα της συσκευής.
- Συνδέστε το βύσμα σε μια εύκολα προσβάσιμη ηλεκτρική πρίζα έτσι ώστε σε περίπτωση έκτακτης ανάγκης η συσκευή να μπορεί να αποσυνδεθεί αμέσως. Για να απενεργοποιήσετε πλήρως τη συσκευή, βγάλτε το βύσμα από την πρίζα.
- Απενεργοποιείτε πάντα τη συσκευή πριν αποσυνδέσετε το βύσμα.

- Μην χρησιμοποιείτε ποτέ εξαρτήματα διαφορετικά από αυτά που συνιστώνται από τον κατασκευαστή. Σε αντίθετη περίπτωση, μπορεί να δημιουργηθεί κίνδυνος για τον χρήστη και να προκληθεί ζημιά στη συσκευή. Χρησιμοποιείτε μόνο αυθεντικά εξαρτήματα και αξεσουάρ.
- Αυτή η συσκευή δεν προορίζεται για χρήση από άτομα (συμπεριλαμβανομένων παιδιών) με μειωμένες σωματικές, αισθητήριες ή διανοητικές ικανότητες ή με έλλειψη πείρας και γνώσης.
- Αυτή η συσκευή δεν πρέπει, σε καμία περίπτωση, να χρησιμοποιείται από παιδιά.
- Κρατήστε τη συσκευή και το καλώδιο μακριά από παιδιά.
- Να αποσυνδέετε πάντα τη συσκευή από το ρεύμα εάν αφήνεται χωρίς επιτήρηση ή δεν χρησιμοποιείται και πριν από εργασίες συναρμολόγησης, αποσυναρμολόγησης ή καθαρισμού.
- Μην αφήνετε ποτέ τη συσκευή χωρίς επιτήρηση ενώ βρίσκεται σε λειτουργία.

Ειδικοί κανονισμοί ασφαλείας

- Χρησιμοποιείτε τη συσκευή μόνο όπως περιγράφεται στο παρόν εγχειρίδιο.
-  **Προσοχή! Κίνδυνος πυρκαγιάς!** Το ψυκτικό μέσο που χρησιμοποιείται είναι το R600a, που είναι ένα εύφλεκτο φυσικό αέριο, φιλικό προς το περιβάλλον. Δεν βλάπτει τη στιβάδα του όζοντος και δεν εντείνει το φαινόμενο του θερμοκηπίου. Ωστόσο, η χρήση αυτού του ψυκτικού μέσου προκαλεί μια ελαφρά αύξηση της στάθμης θορύβου της συσκευής. Εκτός από τον θόρυβο που προκαλεί ο συμπιεστής, μπορεί να ακούγεται το ψυκτικό που ρέει στο σύστημα. Αυτό είναι αναπόφευκτο και δεν έχει αρνητικές επιπτώσεις στην απόδοση της συσκευής. Κατά τη μεταφορά και την εγκατάσταση της συσκευής, προσέξτε να μην υποστούν βλάβη τα εξαρτήματα του συστήματος ψύξης. Η διαρροή ψυκτικού μπορεί να προκαλέσει οφθαλμολογική βλάβη.
- Ο παράγοντας φυσικού αερίου που χρησιμοποιείται είναι το κυκλοπεντάνιο σε αυτήν τη συσκευή. Είναι πολύ εύφλεκτο.
- Η συσκευή πρέπει να χρησιμοποιείται σε θερμοκρασία περιβάλλοντος από 16°C ~ 38°C.
- Μην τοποθετείτε τη συσκευή επάνω σε αντικείμενο θέρμανσης (ηλεκτρικό φούρνο, ψισταριά κλπ κλπ). Διατηρείτε τη συσκευή μακριά από θερμές επιφάνειες και ανοικτές φλόγες. Να τοποθετείτε και να χρησιμοποιείτε πάντα τη συσκευή σε επίπεδα, σταθερά, καθαρά, στεγνά και ανθεκτικά στη θερμότητα επιφάνεια.
- Μην χρησιμοποιείτε τη συσκευή κοντά σε εκρηκτικά ή εύφλεκτα υλικά, πιστωτικές κάρτες, μαγνητικούς δίσκους ή ραδιόφωνα.
- Η συσκευή δεν προορίζεται για λειτουργία μέσω εξωτερικού χρονοδιακόπτη ή ξεχωριστού συστήματος τηλεχειρισμού.
- **ΠΡΟΕΙΔΟΠΟΙΗΣΗ:** Απομακρύνετε όλα τα εμπόδια γύρω από τα ανοίγματα εξαερισμού της συσκευής.
- **ΠΡΟΕΙΔΟΠΟΙΗΣΗ:** Μην χρησιμοποιείτε μηχανικές συσκευές ή άλλα μέσα για να επιταχύνετε τη διαδικασία απόψυξης, πέραν αυτών που συνιστώνται από τον κατασκευαστή.
- **ΠΡΟΕΙΔΟΠΟΙΗΣΗ:** Μην προκαλέσετε ζημιά στο κύκλωμα του ψυκτικού μέσου.
- Αφήστε τουλάχιστον 10 cm ελεύθερο χώρο γύρω από τη συσκευή για λόγους αερισμού κατά τη χρήση.

- Μην χρησιμοποιείτε πίδακες νερού και μην ξεπλύνετε άμεσα με νερό ή συσκευές καθαρισμού με ατμό, καθώς τα εξαρτήματα θα βραχούν και μπορεί να προκληθεί ηλεκτροπληξία.
- **Προσοχή!** Στερεώστε, εάν είναι απαραίτητο, το καλώδιο τροφοδοσίας για να αποφύγετε τυχόν ακούσιο τράβηγμα ή επαφή με την επιφάνεια ψησίματος.
- Μην καθαρίζετε ή αποθηκεύετε τη συσκευή εάν δεν έχει κρυώσει πλήρως.
- Κρατήστε το κλειδί της πόρτας μακριά από παιδιά.
- Η συσκευή δεν πρέπει να έχει κλίση άνω των 5°. Αφού εγκαταστήσετε τη συσκευή, περιμένετε 2 ώρες πριν την συνδέσετε στο ρεύμα. Το ίδιο ισχύει και σε περίπτωση μεταγενέστερης μετακίνησης της συσκευής.

Προβλεπόμενη χρήση

- Η συσκευή ενδείκνυται για χρήση σε μπουφέ και οικιακή χρήση.
- Αυτή η συσκευή έχει σχεδιαστεί μόνο για την αποθήκευση και την ψύξη φιαλών κρασιού (π.χ. σαμπάνια, λευκό κρασί, κόκκινο κρασί, κλπ). Οποιαδήποτε άλλη χρήση μπορεί να προκαλέσει ζημιά στη συσκευή ή τραυματισμό.
- Η χρήση της συσκευής για οποιονδήποτε άλλο σκοπό θεωρείται εσφαλμένη. Ο χρήστης είναι αποκλειστικά υπεύθυνος για την μη κατάλληλη χρήση της συσκευής.

Γείωση

Αυτή η συσκευή ταξινομείται στην κλάση προστασίας Ι και πρέπει να συνδέεται με γείωση προστασίας. Η γείωση μειώνει τον κίνδυνο ηλεκτροπληξίας παρέχοντας ένα καλώδιο διαφυγής για το ηλεκτρικό ρεύμα.

Αυτή η συσκευή είναι εξοπλισμένη με καλώδιο που φέρει καλώδιο γείωσης με βύσμα γείωσης. Το βύσμα πρέπει να είναι συνδεδεμένο σε σωστά τοποθετημένη και γεωμμένη πρίζα.

GR

Κύρια μέρη της συσκευής

1. Περιβλήμα συσκευής
2. Πίνακας ελέγχου αφής (Βλ. ==> Λειτουργία)
3. Κάλυμμα άνω μεντεσέ
4. Πλαίσιο πόρτας
5. Ξύλινα ράφια (5 ράφια για το προϊόν 233221 και 14 ράφια για το προϊόν 233245)
6. Κάλυμμα κάτω μεντεσέ
7. Οπές εξαερισμού
8. Κλειδαριά πόρτας
9. Λαβή πόρτας
10. Κιτ στήριξης - προστασίας από ανατροπή: 2x βραχίονες, 2x βίδες, 4x μεταλλικά διαχωριστικά.



Οδηγίες εγκατάστασης

- Αφαιρέστε τη συσκευή από το χαρτοκιβώτιο και, στη συνέχεια, αφαιρέστε τα εξωτερικά και εσωτερικά υλικά συσκευασίας και περιτύλιξης.
- Βεβαιωθείτε ότι η συσκευή δεν φέρει ζημιές. Σε περίπτωση μη ολοκληρωμένης παράδοσης ή ζημιών, ΜΗΝ χρησιμοποιείτε τη συσκευή. Επικοινωνήστε με τον προμηθευτή (Βλ. ==> Εγγύηση).
- Αφήστε τη συσκευή σε όρθια θέση για περίπου 2 ώρες. Με αυτόν τον τρόπο θα μειώσετε την πιθανότητα δυσλειτουργίας του συστήματος ψύξης από μη κατάλληλο χειρισμό κατά τη μεταφορά.
- Καθαρίστε το εσωτερικό της συσκευής με χλιαρό νερό και ένα μαλακό πανί. (Βλ. ==> Καθαρισμός και Συντήρηση).

- Τοποθετήστε τη συσκευή σε μια σταθερή και ανθεκτική στη θερμότητα επιφάνεια, προστατευμένη από το νερό.
- Η βέλτιστη θερμοκρασία περιβάλλοντος για τη λειτουργία της συσκευής είναι μεταξύ 16°C και 32°C. Διαφορετικά, η λειτουργικότητα ενδέχεται να περιοριστεί.
- Βεβαιωθείτε ότι υπάρχει επαρκής αερισμός. Αφήστε τουλάχιστον 10 cm ελεύθερο χώρο γύρω από τη συσκευή. Μην φράσετε τις οπές εξαερισμού.
- Για εξοικονόμηση ενέργειας, η πόρτα πρέπει να είναι πάντα κλειστή.

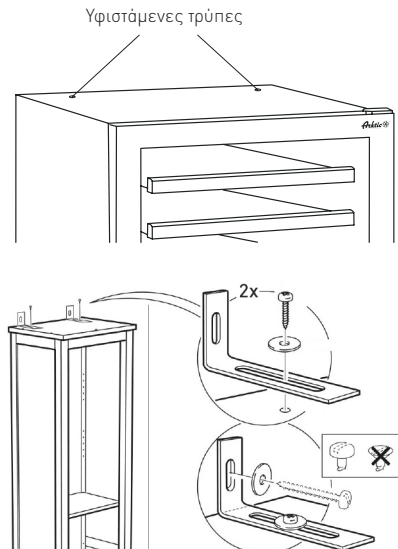
Βραχίονες εγκατάστασης και προστασίας ανατροπής (Μόνο για το προϊόν 233245)

ΣΗΜΕΙΩΣΗ: Χρησιμοποιήστε το αντίστοιχο σταυροκατσάβιδο για εγκατάσταση.

Πριν την εγκατάσταση: Ελέγξτε τον βραχίονα τοίχου για τυχόν ζημιές και την πληρότητα του κιτ εγκατάστασης. ΜΗΝ το εγκαταστήσετε εάν κάποιο τμήμα λείπει ή είναι χαλασμένο.

ΠΡΟΕΙΔΟΠΟΙΗΣΗ: Στην περίπτωση ανατροπής του ψύκτη κρασιών μπορεί να συμβεί ατύχημα. Για να αποφευχθεί η ανατροπή του ψύκτη, πρέπει να στερεωθεί στον τοίχο με τους συνοδευτικούς βραχίονες. Δείτε την εικόνα για λεπτομέρειες εγκατάστασης.

Δεν περιλαμβάνονται συνδετήρες τοίχου, μιας και διαφορετικά υλικά τοίχου απαιτούν διαφορετικούς τύπους συνδετήρων. Χρησιμοποιήστε υλικό σύνδεσης που είναι κατάλληλο για τον τοίχο σας. Για συμβουλές σχετικά με τους κατάλληλους συνδετήρες, επικοινωνήστε με τον τοπικό εξειδικευμένο αντιπρόσωπο.



Λειτουργία

Η συσκευή χωρίζεται σε 2 ξεχωριστές ζώνες. Η «ΕΠΑΝΩ ΖΩΝΗ» και η «ΚΑΤΩ ΖΩΝΗ» της συσκευής ελέγχονται ξεχωριστά από τον πίνακα ελέγχου (2).



Έλεγχος και εμφάνιση θερμοκρασίας

- Όταν συνδέσετε τη συσκευή σε κατάλληλη πρίζα, η ένδειξη «888» θα αναβοσβήσει για λίγα δευτερόλεπτα και θα ακουστεί ένας ήχος.
- Η θερμοκρασία της επάνω ζώνης και της κάτω ζώνης θα εμφανιστεί στην οθόνη (U2 / L2).
- Στη συνέχεια, μπορείτε να ρυθμίσετε τη θερμοκρασία σε οποιαδήποτε ζώνη πιέζοντας το σύμβολο «+» ή «-» στο πλήκτρο (U1 / L1) [Εύρος: 41°F (5°C) έως 68°F(20°C)]. Η θερμοκρασία ζώνης μπορεί να έχει απόκλιση +/- 3°C (+ / - 5°F) από τη ρύθμιση, ανάλογα με τον αριθμό των φιαλών που αποθηκεύονται και τις συνθήκες θερμοκρασίας περιβάλλοντος.

Διακόπτης ON/OFF

- Πατήστε παρατεταμένα το πλήκτρο S1 για 3 έως 4 δευτερόλεπτα για να ενεργοποιήσετε ή να απενεργοποιήσετε τη συσκευή.
- Όταν απενεργοποιήσετε τη συσκευή, θα σβήσουν όλες οι ενδείξεις και στις δύο οθόνες (U2 και L2).

Εσωτερικός φωτισμός

- Πατήστε το πλήκτρο U3 ή L3 για να ανάψετε την αντίστοιχη λυχνία στην ΕΠΑΝΩ ΖΩΝΗ ή την ΚΑΤΩ ΖΩΝΗ της συσκευής.

- Πατήστε ξανά το πλήκτρο U3 ή L3 για να σβήσετε την αντίστοιχη λυχνία στην ΕΠΑΝΩ ΖΩΝΗ ή την ΚΑΤΩ ΖΩΝΗ.
- Η εσωτερική λυχνία θα παραμείνει αναμμένη έως ότου πατήσετε το αντίστοιχο πλήκτρο για να σβήσει.

Μετατροπή μονάδας θερμοκρασίας

- Μπορείτε να αλλάξετε τη μονάδα της θερμοκρασίας από Κελσίου (°C) σε Φαρενάιτ (°F) και αντίστροφα πατώντας το πλήκτρο (T1).

Λειτουργία κλειδώματος

- Εάν δεν πιέσετε κανένα κουμπι εντός 15 δευτερολέπτων, η συσκευή θα τεθεί σε λειτουργία κλειδώματος. Όταν λειτουργία κλειδώματος είναι ενεργοποιημένη, το πλήκτρο δεν λειτουργεί έως ότου ακυρωθεί η λειτουργία κλειδώματος.
- Για να ακυρώσετε τη λειτουργία κλειδώματος, πατήστε παρατεταμένο το πλήκτρο U1 (Πιέστε ταυτόχρονα τα πλήκτρα «+» και «-» για μερικά δευτερόλεπτα). Η λειτουργία κλειδώματος θα ακυρωθεί.

Σημείωση: Η πόρτα της συσκευής μπορεί να κλειδωθεί στο κάτω μέρος (8) με τα κλειδιά (παρέχονται)

Πίνακας κωδικών σφάλματος

Κωδικοί πρόσβασης που εμφανίζονται στην οθόνη (U2/L2)	Πιθανές αιτίες	Πιθανές λύσεις
Αναβοσβήνει η ένδειξη «E0»	Αποτυχία σύνδεσης, το καλώδιο ή το στοιχείο δεν έχει συνδεθεί καλά.	Επικοινωνήστε με τον προμηθευτή σας.
Αναβοσβήνει η ένδειξη «E1»	Ο αισθητήρας θερμοκρασίας δεν αποκρίνεται στην αντίστοιχη ζώνη.	Επικοινωνήστε με τον προμηθευτή σας.
Αναβοσβήνει η ένδειξη «E2»	Ο αισθητήρας απόψυξης παρουσιάζει πρόβλημα στην αντίστοιχη ζώνη.	Επικοινωνήστε με τον προμηθευτή σας.

Βέλτιστη θερμοκρασία σερβιρίσματος κρασιού

Θερμοκρασία	Τύπος κρασιού	Κατηγορία κρασιού
18°C (65°F)	Πλούσια, έντονα, με άρωμα βελανιδιάς, πιπερώδη	Bordeaux, Cabernet Sauvignon, Shiraz
17°C (63°F)	Κόκκινα	Barolo, Burgundy Grand Cru
16°C (61°F)	Κόκκινα με μέτριο έως ελαφρύτερο σώμα	Rioja, Pinot Noir, CDP
15°C (59°F)		Chianti, Zinfandel
14°C (57°F)		Chinon, Port, Madeira
13°C (55°F)		Dolcetto, Cotes Du Rhone
12°C (54°F)	Χυμώδη, φρουτώδη κόκκινα	Beaujolais, Valpolicella
11°C (52°F)	Λευκά πλήρους σώματος/με άρωμα βελανιδιάς	Λευκά Burgundy
10°C (50°F)	Με μέτριο έως ελαφρύτερο σώμα	Chardonnay, Sauternes
9°C (48°F)	Λευκά	Sauvignon Blanc, Chablis
8°C (47°F)	Γλυκά και αφρώδη κρασιά	Vintage σαμπάνιες
7°C (45°F)		
6°C (43°F)		Champagne NV, Prosecco, Cava, Asti

Σημείωση: Ο παραπάνω πίνακας παρέχεται μόνο για λόγους αναφοράς.

Καθαρισμός και Συντήρηση

Προσοχή: Να αποσυνδέετε πάντα τη συσκευή από την πρίζα και να την αφήνετε να κρυώνει τελείως πριν την καθαρίσετε και την αποθηκεύσετε.

Καθαρισμός

- Καθαρίζετε τη συσκευή πριν και μετά από κάθε χρήση.
- Μην βυθίζετε ποτέ τη συσκευή σε νερό ή άλλα υγρά.
- Μην καθαρίζετε τη συσκευή με εκτοξευτήρα νερού.
- Καθαρίζετε την επιφάνεια με ένα ελαφρώς υγρό πανί ή σφουγγάρι με λίγο ήπιο διάλυμα σαπουνιού.
- Όλα τα μέρη της συσκευής πρέπει να ξεπλένονται με καθαρό νερό για να αφαιρούνται τυχόν υπολείμματα σαπουνιού.
- Μην χρησιμοποιείτε τριπτικά σφουγγάρια ή απορρυπαντικά, σύρματα ή μεταλλικά σκεύη για τον καθαρισμό των εσωτερικών ή εξωτερικών μερών της συσκευής.
- Στεγνώστε το εσωτερικό και το εξωτερικό της συσκευής με ένα μαλακό πανί.

Αποθήκευση

- Πριν αποθηκεύσετε την συσκευή, βεβαιωθείτε ότι έχει αποσυνδεθεί από την πρίζα και έχει κρυώσει τελείως.
- Φυλάσσετε τη συσκευή σε δροσερό, καθαρό και στεγνό χώρο.

Μεταφορά

- Βγάλτε τη συσκευή από την πρίζα.
- Αφαιρέστε όλες τις φιάλες από τη συσκευή.
- Ασφαλίστε με ταινία όλα τα μη σταθερά αντικείμενα στο εσωτερικό της συσκευής.
- Κλειδώστε την πόρτα.
- Απαιτούνται τουλάχιστον 2 άτομα για τη μεταφορά.

Αντιμετώπιση προβλημάτων

Αν η συσκευή δεν λειτουργεί σωστά, συμβουλευτείτε τον παρακάτω πίνακα για πιθανές λύσεις. Αν συνεχίσετε να μην μπορείτε να επιλύσετε το πρόβλημα, επικοινωνήστε με τον προμηθευτή/πάροχο σέρβις.

Προβλήματα	Πιθανές αιτίες	Πιθανές λύσεις
Η συσκευή είναι συνδεδεμένη σε παροχή ρεύματος, αλλά δεν λειτουργεί.	Το φις δεν είναι συνδεδεμένο σωστά στην παροχή ρεύματος.	Ελέγξτε ξανά το βύσμα για να βεβαιωθείτε ότι είναι συνδεδεμένο σωστά.
	Ο αυτόματος διακόπτης έπεσε ή κάπκε η ασφάλεια.	Επικοινωνήστε με τον προμηθευτή σας.
Η θερμοκρασία στο εσωτερικό της συσκευής είναι πολύ υψηλή.	Έχει οριστεί πολύ υψηλή θερμοκρασία.	Χαμηλώστε τη θερμοκρασία.
	Η πόρτα έχει μείνει ανοικτή για μεγάλο διάστημα.	Ανοίγετε την πόρτα για συντομότερα διαστήματα.
	Η φλάντζα της πόρτας δεν σφραγίζει καλά.	Βεβαιωθείτε ότι η φλάντζα της πόρτας σφραγίζει καλά.
Υπάρχει υγρασία στα εσωτερικά τοιχώματα της συσκευής.	Η πόρτα έχει μείνει ανοικτή για μεγάλο διάστημα.	Ανοίγετε την πόρτα για συντομότερα διαστήματα.

Τεχνικά στοιχεία

Αρ. προϊόντος	233221	233245
Τάση και συχνότητα λειτουργίας	220-240V~ 50Hz	
Ονομαστική ισχύς εισόδου	45W	120W
Ονομαστικό ρεύμα	0,5 A	1,0 A
Ρύθμιση εύρους θερμοκρασίας	5°C έως 20°C	
Κατηγορία προστασίας	Κατηγορία I	
Ισχύς φωτισμού	4W	
Επίπεδο θορύβου	< 60 dB (A)	
Χρησιμοποιούμενο ψυκτικό μέσο και ποσότητα έγχυσης	R600a / 30g	R600a / 55g
Κατηγορία ενεργειακής απόδοσης	G	
Παράγοντας φυσικού αερίου	Κυκλοπεντάνιο	
Κλιματική κλάση	N-ST (16°C έως 38°C)	
Αρ. ζωνών θερμοκρασίας	2	
Χωρητικότητα	144L	424L
Χωρητικότητα σε φιάλες	43 ~ 44 φιάλες	165 ~ 166 φιάλες
Αρ. ραφιών	5	14
Καθαρό βάρος (περ.)	55 kg	106 kg
Διαστάσεις	596 x 654 x (Y) 855 mm	595 x 720 x (Y) 1820 mm

Σημείωση: Οι τεχνικές προδιαγραφές μπορούν να τροποποιηθούν χωρίς προηγούμενη ειδοποίηση.

Εγγύηση

Οποιοδήποτε ελάττωμα επηρεάζει τη λειτουργικότητα της συσκευής που γίνεται προφανές δύο χρόνια μετά την αγορά της, θα διορθώνεται με δωρεάν επισκευή ή αντικατάσταση, αρκεί η συσκευή να έχει χρησιμοποιηθεί και συντηρηθεί σύμφωνα με τις οδηγίες και να μην έχει γίνει κατάχρηση ή λανθασμένη χρήση της με οποιονδήποτε τρόπο. Δε θίγονται τα νόμιμα δικαιώματά σας. Εάν η συσκευή υποστηρίζεται

από εγγύηση, δηλώστε πού και πότε έχει αγοραστεί και συμπεριλάβετε την απόδειξη αγοράς (π.χ. απόδειξη λιανικής πώλησης).

Σύμφωνα με την πολιτική μας για τη συνεχή εξέλιξη των προϊόντων μας, διατηρούμε το δικαίωμα να αλλάξουμε το προϊόν, τη συσκευασία και τις προδιαγραφές τεκμηριωσής του χωρίς προειδοποίηση.

Απόρριψη & Περιβάλλον

Η συσκευή, μετά το πέρας της διάρκειας ζωής της, δεν πρέπει να απορρίπτεται ως οικιακό απόρριμμα. Πρέπει να απορρίπτεται, με δική σας ευθύνη, σε καθορισμένο σημείο συλλογής. Η μη τήρηση αυτού ενδέχεται να τιμωρείται σύμφωνα με τους ισχύοντες κανονισμούς για τη διάθεση των απορριμμάτων. Η χωριστή συλλογή και ανακύκλωση αυτής της συσκευής κατά τη στιγμή της απόρριψης βοηθά στη διατήρηση των φυσικών πόρων και εξασφαλίζει την

ανακύκλωσή της με τρόπο που προστατεύει την ανθρώπινη υγεία και το περιβάλλον. Για περισσότερες πληροφορίες σχετικά με το πού μπορείτε να απορρίψετε τη συσκευή για ανακύκλωση, επικοινωνήστε με την τοπική εταιρεία συλλογής απορριμμάτων. Οι κατασκευαστές και οι εισαγωγείς δεν αναλαμβάνουν την ευθύνη ανακύκλωσης, επεξεργασίας και οικολογικής διάθεσης, είτε άμεσα είτε μέσω δημόσιου συστήματος.

ΣΕΡΒΙΣ ΕΛΛΑΔΟΣ:

Τηλ.: 213 0 998989 (10 γραμμές)

info@pks-hendi.com

Hendi B.V.

Innovatielaan 6
6745 XW De Klomp, The Netherlands
Tel: +31 317 681 040
Email: info@hendi.eu

Hendi Polska Sp. z o.o.

ul. Firmowa 12
62-023 Robakowo, Poland
Tel: +48 61 658 7000
Email: info@hendi.pl

Hendi Food Service Equipment GmbH

Ehring 15
5112 Lamprechtshausen, Austria
Tel: +43 6274 200 10 0
Email: office.austria@hendi.eu

Hendi Food Service Equipment Romania S.R.L.

Str. 13 decembrie 94A, Hala 14
Braşov, 500164, Romania
Tel: +40 268 320330
Email: office@hendi.ro

PKS Hendi South East Europe SA

5 Metsovou Str.
18346 Moschato, Athens, Greece
Tel: +30 210 4839700
Email: info@pks-hendi.com

Hendi Italia S.R.L.

Via Leonardo da Vinci 4
39100 Bolzano (BZ), Italy
Tel: +39 800 727 438
Email: office.italy@hendi.eu

Hendi HK Ltd.

1208, 12/F Exchange Tower
33 Wang Chiu Road, Kowloon Bay, Hong Kong
Tel: +852 2154 2618
Email: info-hk@hendi.eu

Find Hendi on internet:

www.hendi.eu
www.facebook.com/HendiToolsforChefs
www.linkedin.com/company/hendi-food-service-equipment-b.v.
www.youtube.com/HendiEquipment

- Changes, printing and typesetting errors reserved.
- Änderungen und Druckfehler vorbehalten.
- Wijzigingen en drukfouten voorbehouden.
- Producent zastrzega sobie prawo do zmian oraz błędów drukarskich w instrukcji.

- Variations et fautes d'impression réservés.
- Errori di cambiamenti, di stampa e di impaginazione riservati.
- Drepturi rezervate cu privire la modificări și greșeli de imprimare.
- Изменения, печати и верстки ошибки защищены.
- Με επιφύλαξη αλλαγών, λαθών εκτύπωσης και στοιχειοθεσίας.