

Drawing

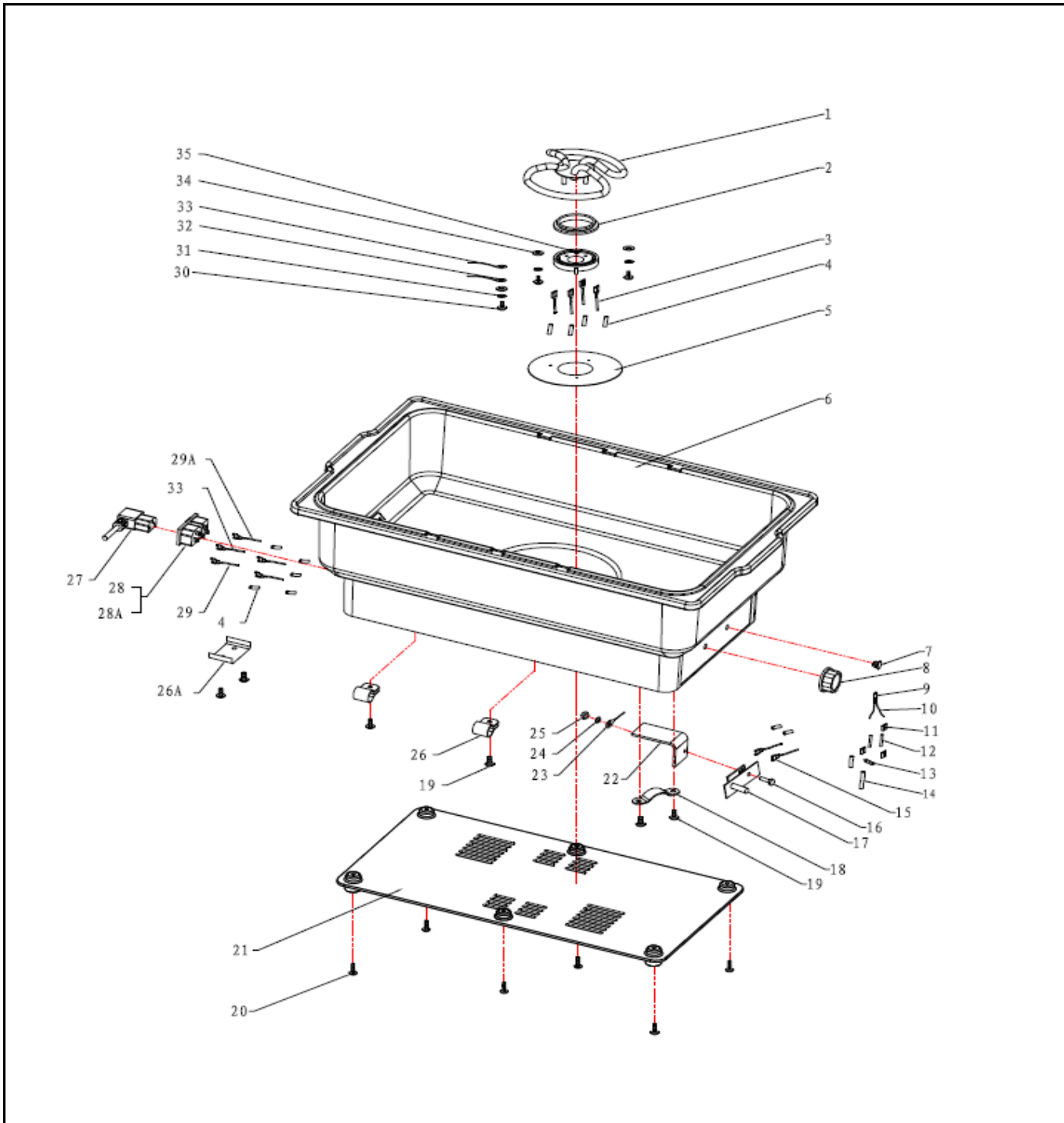


Hendi B.V.
 Steenoven 21
 3911 TX Rhenen
 The Netherlands


Batch #	Appliance part#
701072 and up	204825

Description
Cahfing dish electric "Tellano"

Date	31-03-2016	Revision #	Revision version
Revision	First bill of materials (BOM)		



Bill of materials (BOM)

 Hendi B.V. Steenoven 21 3911 TX Rhenen The Netherlands	Batch #	Appliance part#
	701072 and up	204825
	Description	
	Cahfing dish electric "Tellano"	


Date	31-03-2016	Revision #	Revision version
Revision	First bill of materials (BOM)		

Item	Description	Part#	Quantity	Remark	Picture
1	Element 240V/900W	809761	1		
2	Sealing	204801	1		
3	Terminal	n/a	2		
4	Heat shrinking tubing	n/a	2		
5	Cover	n/a	1		
6	Water pan	n/a	1		
7	Indicator light cover	n/a	1		
8	Knob	204719	1		
9	Indicator light	n/a	1		
10	Wiring indicator light	n/a	2		
11	Connector	n/a	3		
12	Heat shrinking tubing	n/a	1		
13	Resistor	n/a	1		
14	Heat shrinking tubing	n/a	1		
15	Terminal	n/a	9		
16	Screw M4x30	n/a	1		
17	Thermostat	860175	1		
18	Bracket	n/a	1		
19	Screw	n/a	6		
20	Screw	n/a	6		
21	Bottom cover	n/a	1		
22	Bracket	n/a	1		
23	Terminal Ø4mm	n/a	1		
24	Spring washer	n/a	1		
25	Nut M4	n/a	1		
26	Cable Clamp	n/a	2		
26a	Bracket	n/a	1		
27	Power chord	900680	1		
28	Socket with switch	n/a	1		
29	Wiring (white)	n/a	1		
29a	Wiring (red)	n/a	1		
30	Screw M3x8	n/a	3		
31	Washer M3	n/a	3		
32	Terminal Ø3mm	n/a	2		
33	Wiring (ground)	n/a	2		
34	Washer M3	n/a	3		
35	Hi-limiter	204771	1		
*	Lid	n/a	1	* not shown on exploded view	
*	1/1 gastronorm food pan 65mm deep	806128	1	* not shown on exploded view	

n/a -> not available

nss -> not sold separately

Circuit diagram

 <b style="font-size: 24px; font-weight: bold; color: red;">HENDI <small>FOOD SERVICE EQUIPMENT</small> Hendi B.V. Steenoven 21 3911 TX Rhenen The Netherlands	Batch #	Appliance part#
	701072 and up	204825
	Description	
	Cahfing dish electric "Tellano"	

Date	31-03-2016	Revision #	Revision version
Revision	First bill of materials (BOM)		

