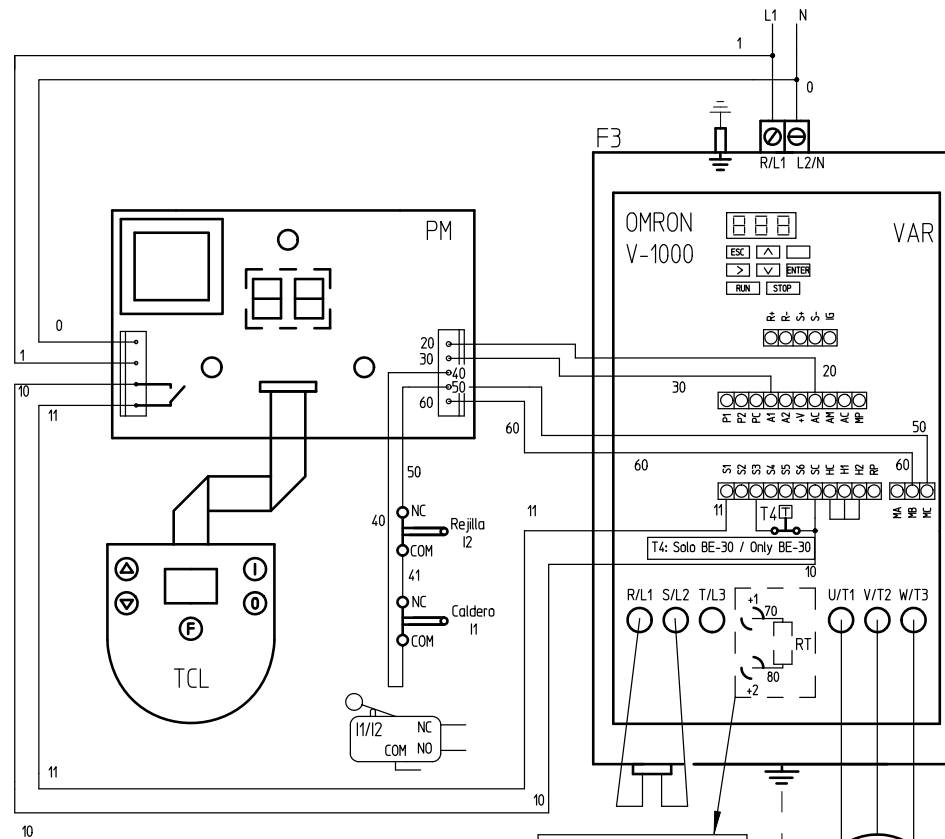
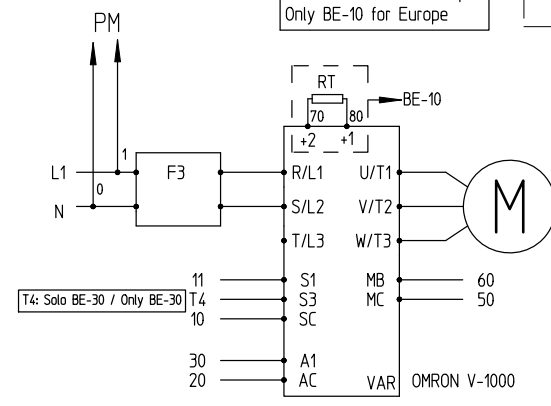
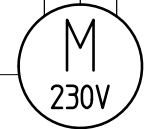


|            | Denominación                    | Description                      | Denomination                    |
|------------|---------------------------------|----------------------------------|---------------------------------|
| <b>F3</b>  | FILTRO SUPRESION INTERFERENCIAS | INTERFERENCES SUPPRESSION FILTER | FILTRE SUPPRESSION INTERFÉRENCE |
| <b>I1</b>  | MICRO CALDERO                   | BOWL MICROSWITCH                 | MICRORRUPTEUR CUVE              |
| <b>I2</b>  | MICRO REJILLA                   | GRID MICROSWITCH                 | MICRORRUPTEUR GRILLE            |
| <b>M</b>   | MOTOR                           | MOTOR                            | MOTEUR                          |
| <b>PM</b>  | PLACA MANDOS                    | CONTROL PANEL                    | PLAQUE DE COMMANDES             |
| <b>RT</b>  | REACTANCIA                      | REACTANCE                        | RÉACTANCE                       |
| <b>TLC</b> | TECLADO                         | KEYBOARD                         | CLAVIER                         |
| <b>T4</b>  | PROTECCION TERMICA MOTOR        | THERMIC MOTOR PROTECTION         | PROTECTION THERMIQUE DU MOTEUR  |
| <b>VAR</b> | VARIADOR DE VELOCIDAD           | SPEED CONTROL                    | VARIATEUR VITESSE               |

208-240 V / 50-60 Hz / 1 ~



RT:  
Solo BE-10 modelo Europeo  
Only BE-10 for Europe



VARIADOR (VAR):  
BE-10: 0.55 kW  
BE-10C: 1.1 kW  
BE-20: 1.1 kW  
BE-20C: 1.5 kW  
BE-30/30C: 1.5 kW  
BE-40/40C: 1.5 kW

MOTOR (M):  
BE-10: 0.55 kW  
BE-10C: 0.75 kW  
BE-20/20C: 0.9 kW  
BE-30/30C: 1.1 kW  
BE-40/40C: 1.4 kW